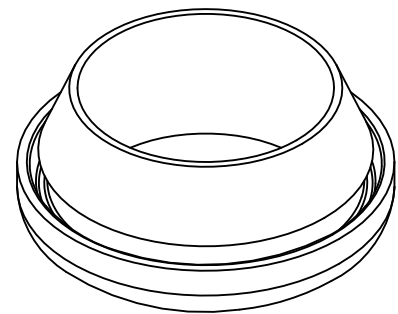
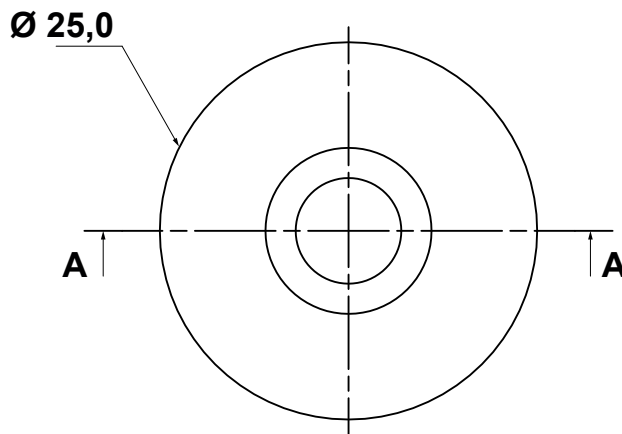
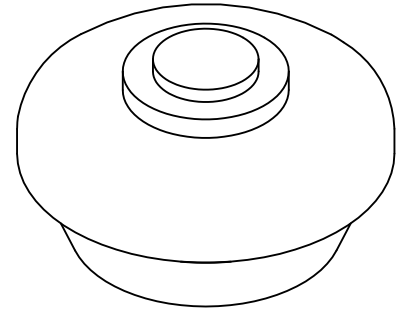
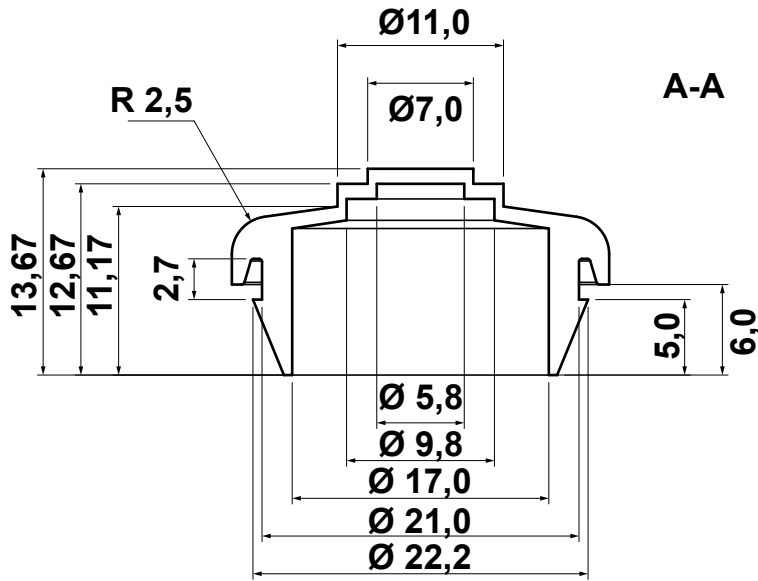


DIM.	TOL.
5mm DOWN	±0.2
5~20mm	±0.3
20~40mm	±0.4
40~60mm	±0.5
60~100mm	±0.8
100mm UP	±1.0

REVISIONS			
REV	DESCRIPTION	DATE	BY



HOLE MOUNTING Ø 21,0
PANEL THICKNESS 1,0 - 2,7
CABLE Ø 7,0 - 15,0
OPERATING TEMPERATURE -40°C - +100°C
HALOGEN FREE MATERIAL

P/N	COLOR
15975PF01	BLACK
15975PF02	WHITE



TITLE		SMALL GROMMET	
MATERIAL		DATE	21/02/2022
TPE-SEBS		DRAWN	A.C.
COLOR		CHECK	
SEE TABLE		APPROVED	
UNLESS OTHERWISE SPECIFIED TOLERANCE		SEE ABOVE	

PART NUMBER		DRAWING NUMBER	
SEE TABLE		22.02.21.XXXX.0.E	
SIZE	SCALE	UNIT	REV
A4	NTS	mm.	A