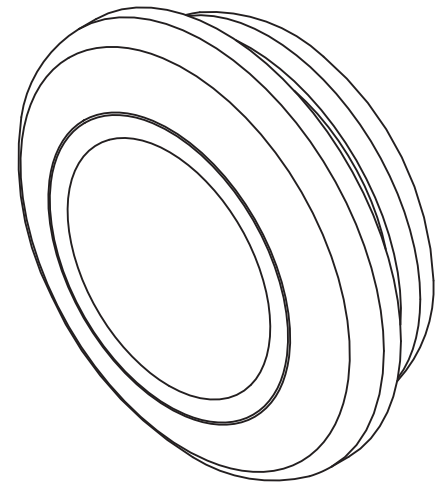
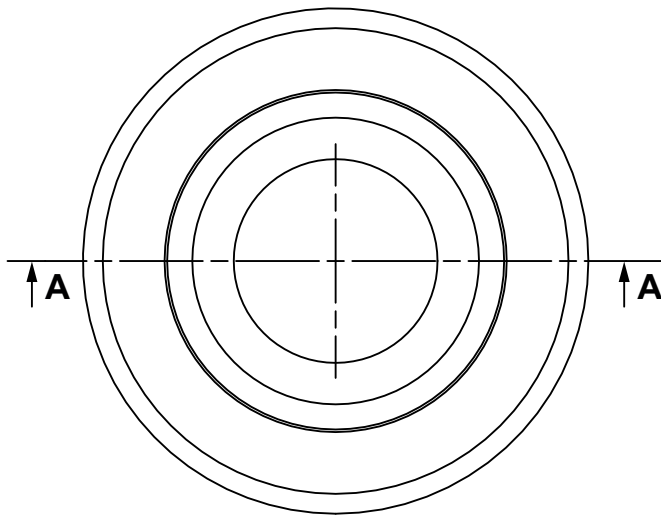
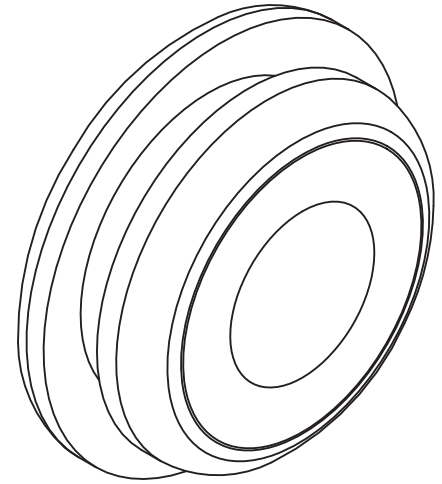
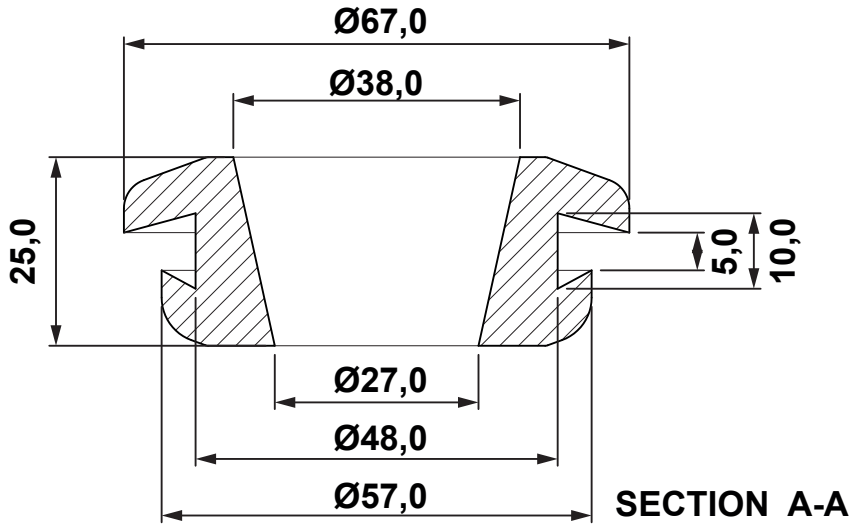


DIM.	TOL.
5mm DOWN	±0.2
5~20mm	±0.3
20~40mm	±0.4
40~60mm	±0.5
60~100mm	±0.8
100mm UP	±1.0



REVISIONS			
REV	DESCRIPTION	DATE	BY



**MAX. PANEL THICKNESS: 10,0**  
**HOLE PANEL: 48,0**  
**PIPE Ø: 32,0**  
**WORKING TEMPERATURE: -40°C ... + 100°C**

				TITLE <b>GROMMET</b>	
				MATERIAL TPE-SEBS	DATE 13/04/2022
PART NUMBER 17881PS01				DRAWN A.C.	
				COLOR BLACK	
DRAWING NUMBER 22.04.13.17881.0.E				CHECK	
SIZE A4	SCALE 2:1	UNIT mm.	REV A	UNLESS OTHERWISE SPECIFIED TOLERANCE SEE ABOVE	
				APPROVED	