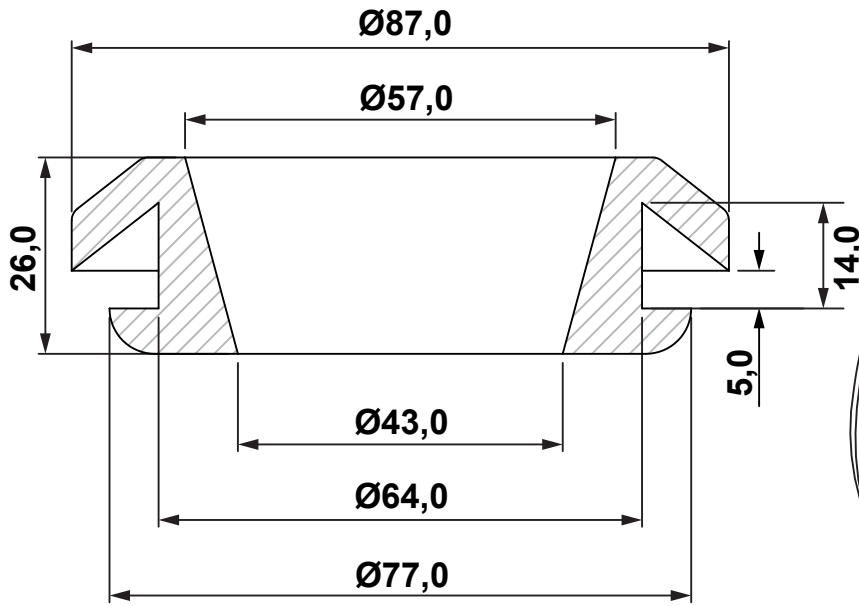


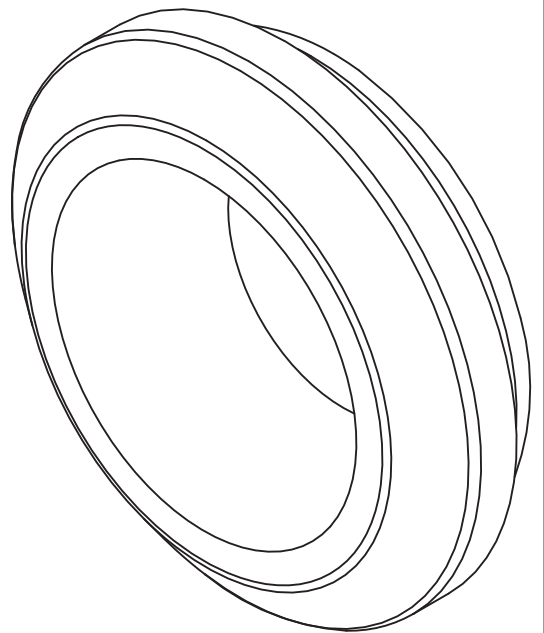
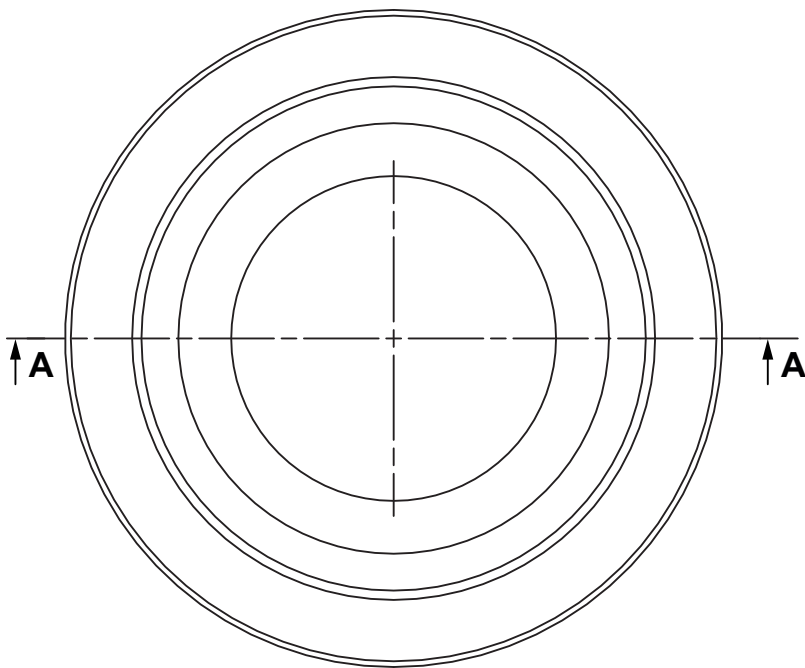
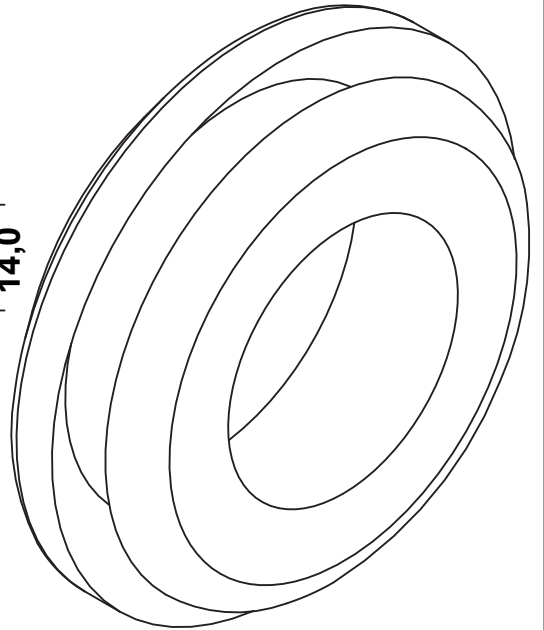
DIM.	TOL.
5mm DOWN	±0.2
5~20mm	±0.3
20~40mm	±0.4
40~60mm	±0.5
60~100mm	±0.8
100mm UP	±1.0



REVISIONS			
REV	DESCRIPTION	DATE	BY



SECTION A-A



MAX. PANEL THICKNESS: 13,0
HOLE PANEL: 64,0
PIPE Ø: 50,0
WORKING TEMPERATURE: -40°C ... + 100°C

				TITLE GROMMET	
				MATERIAL TPE-SEBS	
PART NUMBER 17884PS01				DRAWN A.C.	
DRAWING NUMBER 22.04.13.17884.0.E				CHECK	
COLOR BLACK				APPROVED	
SIZE A4	SCALE 1:1	UNIT mm.	REV A	UNLESS OTHERWISE SPECIFIED TOLERANCE SEE ABOVE	