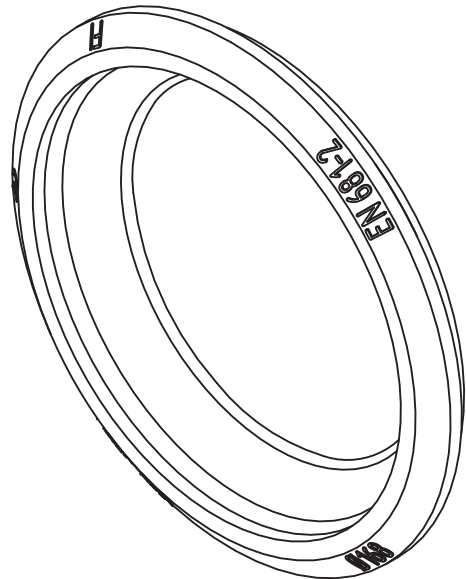
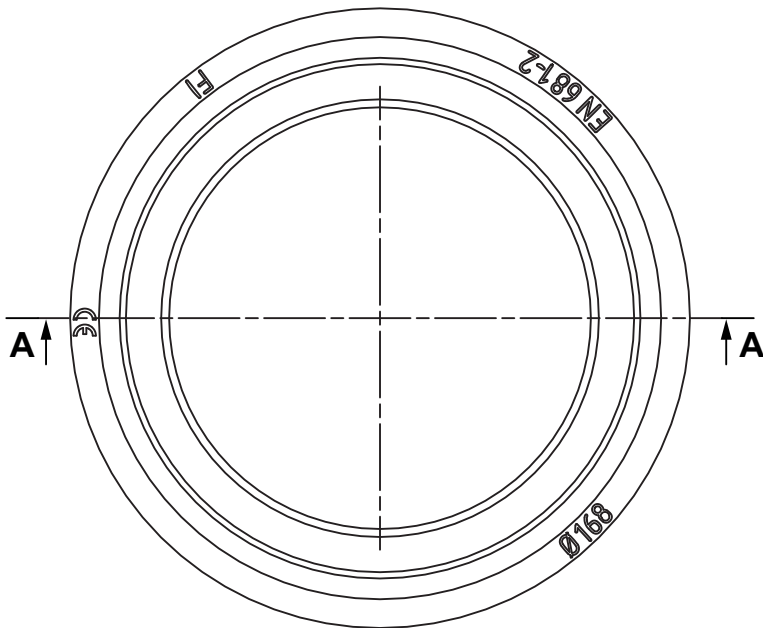
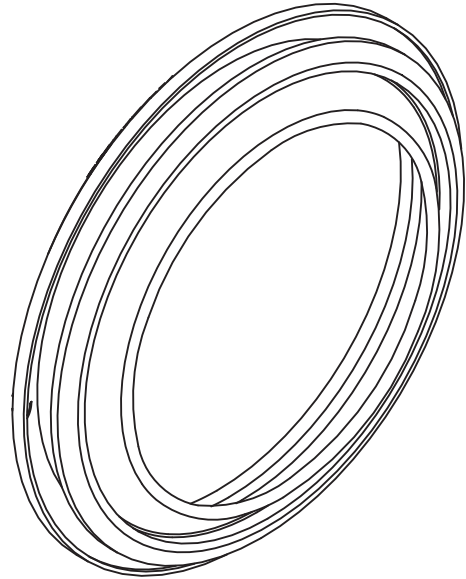
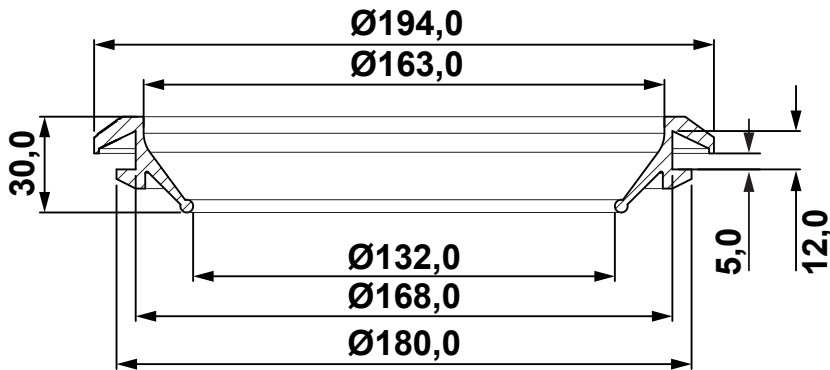


DIM.	TOL.
5mm DOWN	±0.2
5~20mm	±0.3
20~40mm	±0.4
40~60mm	±0.5
60~100mm	±0.8
100mm UP	±1.0



REVISIONS			
REV	DESCRIPTION	DATE	BY



MAX. PANEL THICKNESS: 12,0
HOLE PANEL: 168,0
PIPE Ø: 150,0-160,0
WORKING TEMPERATURE: -40°C ... + 100°C

				TITLE GROMMET	
				MATERIAL TPE-SEBS	DATE 13/04/2022
PART NUMBER 17890PS01		DRAWING NUMBER 22.04.13.17890.0.E		DRAWN A.C.	
SIZE A4		SCALE NTS		CHECK	
UNIT mm.		REV A		APPROVED	
COLOR BLACK				UNLESS OTHERWISE SPECIFIED TOLERANCE SEE ABOVE	