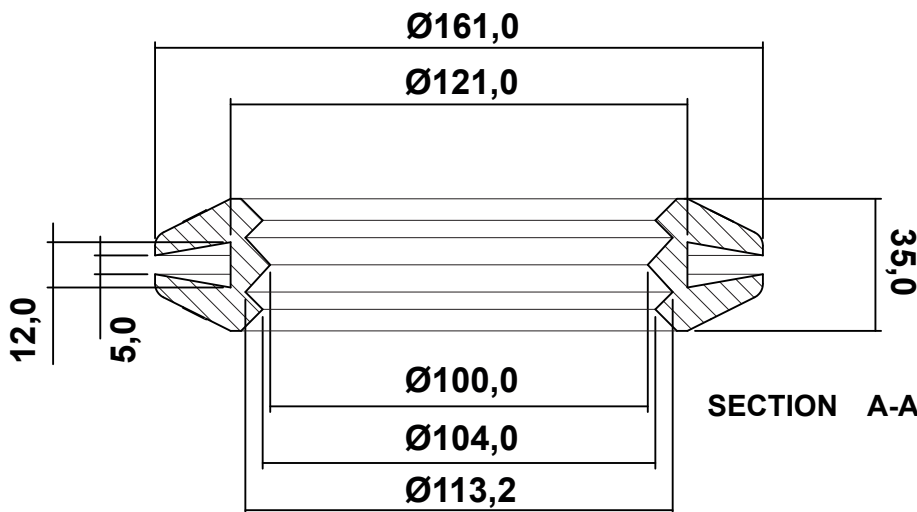
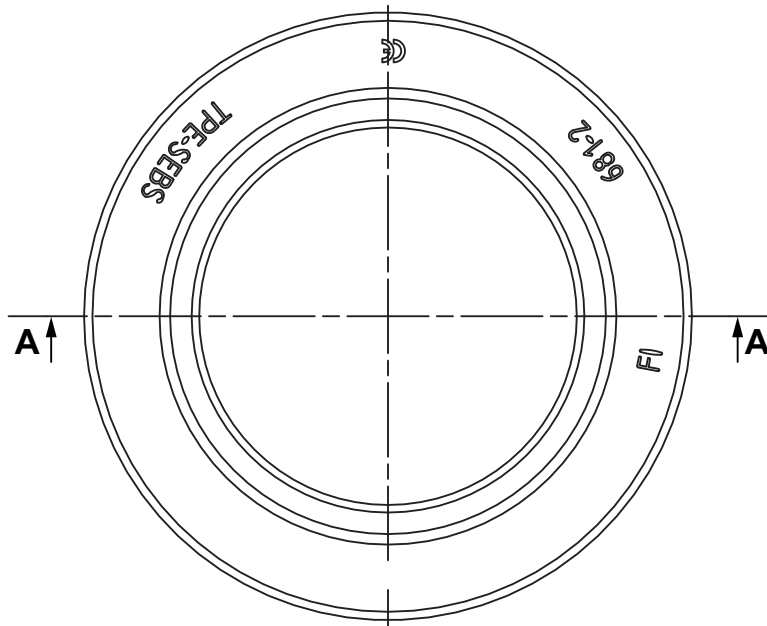


DIM.	TOL.
5mm DOWN	±0.2
5~20mm	±0.3
20~40mm	±0.4
40~60mm	±0.5
60~100mm	±0.8
100mm UP	±1.0



REVISIONS			
REV	DESCRIPTION	DATE	BY



MAX. PANEL THICKNESS: 12,0
HOLE PANEL: 122,0
PIPE Ø: 110,0
WORKING TEMPERATURE: -40°C ... + 100°C

				TITLE GROMMET	
				MATERIAL TPE-SEBS	DATE 13/04/2022
PART NUMBER 17892PS01				DRAWN A.C.	
				DRAWING NUMBER 22.04.13.17892.0.E	
SIZE A4				COLOR BLACK	
				CHECK	
SCALE NTS				UNLESS OTHERWISE SPECIFIED TOLERANCE SEE ABOVE	
				APPROVED	
UNIT mm.				REV A	