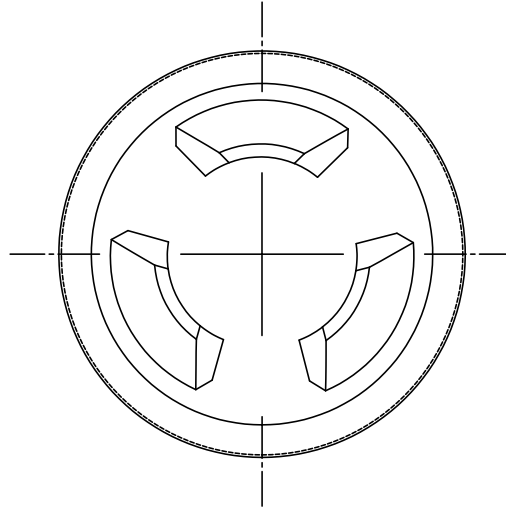
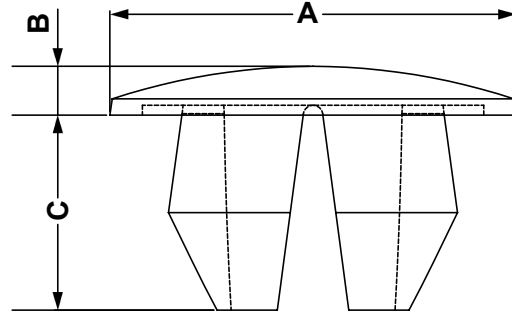



DIM.	TOL.
5mm DOWN	±0.2
5~20mm	±0.3
20~40mm	±0.4
40~60mm	±0.5
60~100mm	±0.8
100mm UP	±1.0

REVISIONS			
REV	DESCRIPTION	DATE	BY



PART NO	A	B	C	HOLE	THICKNESS	COLOUR
0233AA01	Ø 25,0	2,0	8,5	Ø 19,5	1,0 - 4,0	Black or natural
0235AA01	Ø 31,5	2,0	6,5	Ø 25,5	0,5 - 3,0	Black or natural
02472AA01	Ø 27,0	2,0	6,0	Ø 16,0	0,5 - 1,2	Black or natural
1099AA01	Ø 14,5	2,0	8,0	Ø 8,0	0,5 - 3,0	Black or natural

To order the product in natural replace "AA01" with "AA00"

				TITLE ROUND PLUG			
				MATERIAL PA 66 UL94V - 2	DATE 17/05/2022		
				HARDNESS	DRAWN A.C.		
PART NUMBER SEE TABLE		DRAWING NUMBER 22.05.17.02XX.0.E		COLOR SEE TABLE		CHECK	
SIZE A4	SCALE NTS	UNIT mm	REV A	UNLESS OTHERWISE SPECIFIED TOLERANCE SEE ABOVE		APPROVED	