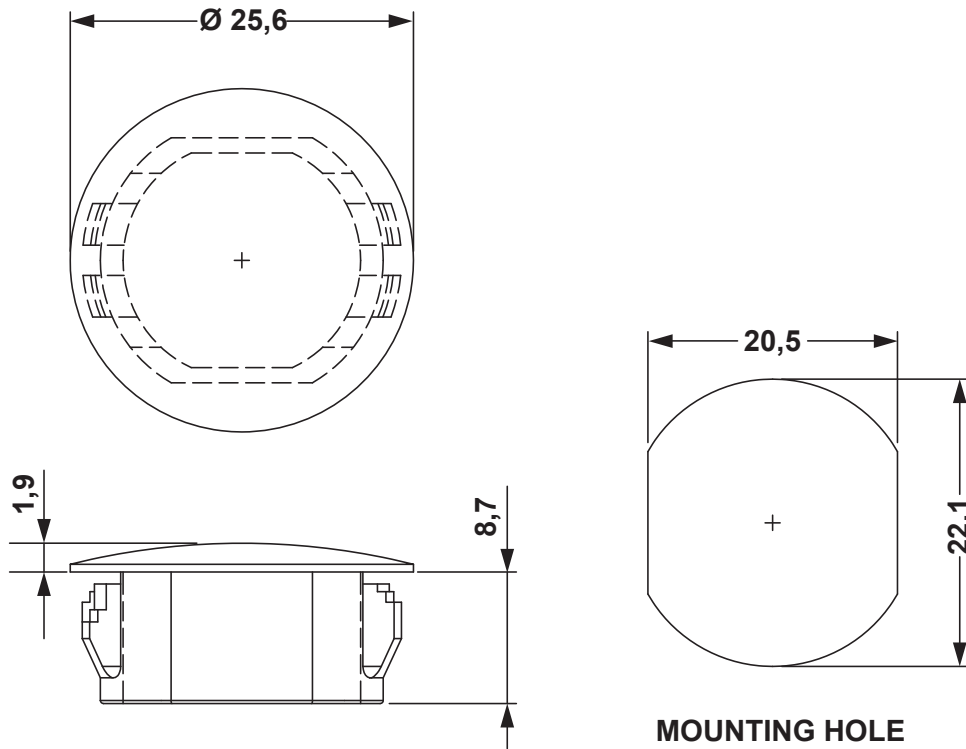


DIM.	TOL
5mm DOWN	±0.2
5~20mm	±0.3
20~40mm	±0.4
40~60mm	±0.5
60~100mm	±0.8
100mm UP	±1.0

REVISIONS			
REV	DESCRIPTION	DATE	BY



THICKNESS: 0,8 - 3,3

ALL MEASUREMENT DOES NOT INCLUDE GATE WHICH RAISES UNDER 0.3



TITLE ST-CONNECTOR HOLE PLUGS		MATERIAL PA66 V2 UL94		DATE 19/05/2022	
		COLOR BLACK		DRAWN A.C.	
PART NUMBER 10629AA01		DRAWING NUMBER 22.05.19.10629.0.E		CHECK 	
SIZE A4		SCALE 2:1		UNLESS OTHERWISE SPECIFIED TOLERANCE SEE ABOVE	
UNIT mm.		REV A		APPROVED 	