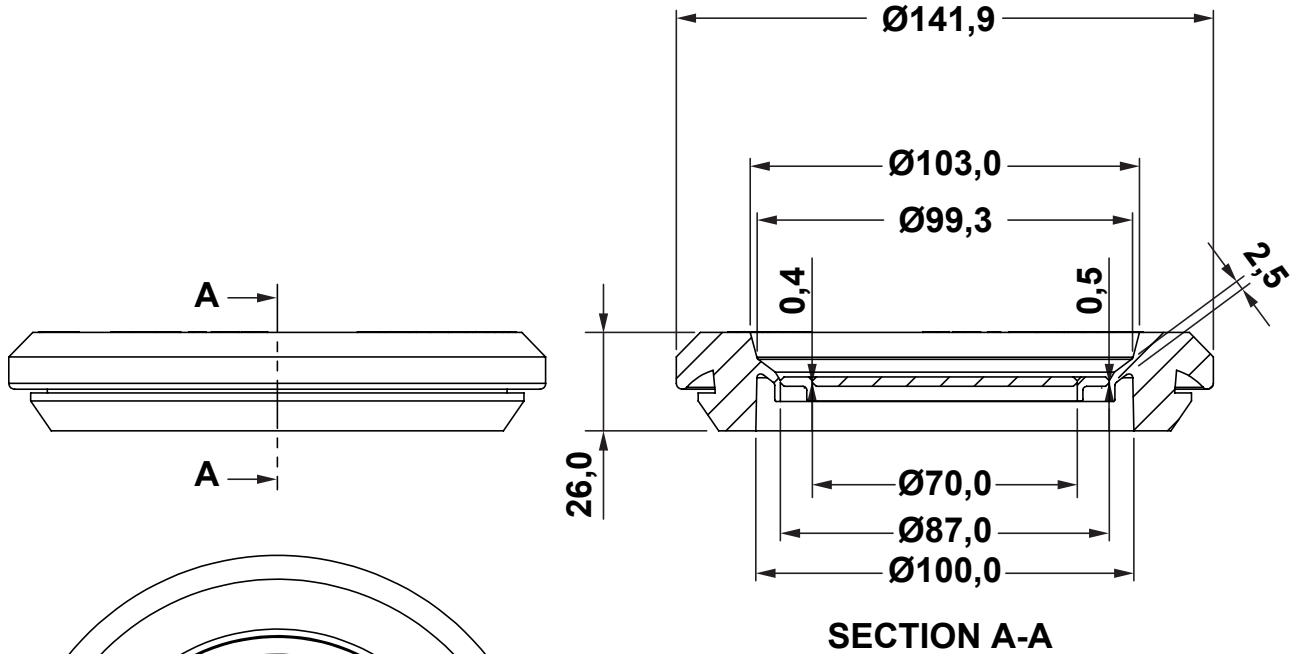


DIM.	TOL.
5mm DOWN	±0.2
5~20mm	±0.3
20~40mm	±0.4
40~60mm	±0.5
60~100mm	±0.8
100mm UP	±1.0

REVISIONS			
REV	DESCRIPTION	DATE	BY




NOTES:

MOUNTING HOLE: Ø120,0

PANEL THICKNESS 1,5 - 6,0

WORKING TEMPERATURE -40°C - +130°C

HALOGEN-FREE

				TITLE SNAP-FIT GROMMET IP54	
				MATERIAL TPE 65ShA V0	DATE 20/05/2022
PART NUMBER 12266PF019011				DRAWN A.C.	
				DRAWING NUMBER 22.05.20.12266.0.E	
COLOR RAL 9011				CHECK	
SIZE A4	SCALE 1:2	UNIT mm.	REV A	UNLESS OTHERWISE SPECIFIED TOLERANCE SEE ABOVE	
				APPROVED	