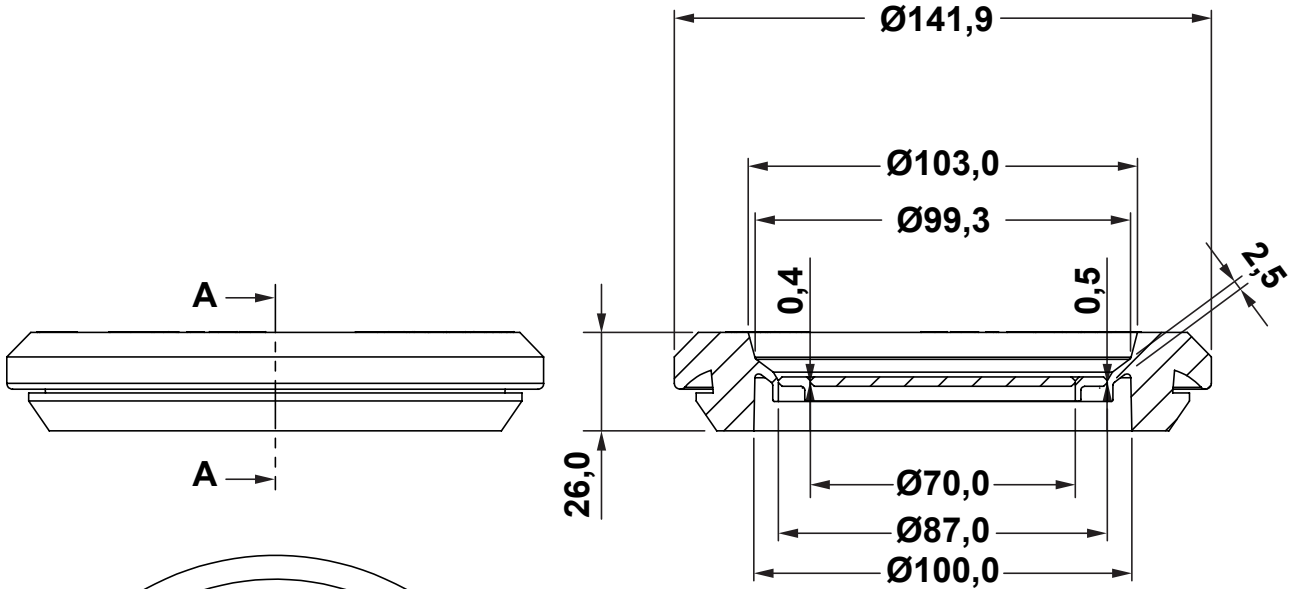


DIM.	TOL.
5mm DOWN	±0.2
5~20mm	±0.3
20~40mm	±0.4
40~60mm	±0.5
60~100mm	±0.8
100mm UP	±1.0

REVISIONS			
REV	DESCRIPTION	DATE	BY



SECTION A-A


NOTES:

MOUNTING HOLE: Ø120,0

PANEL THICKNESS 1,5 - 6,0

WORKING TEMPERATURE -40°C - +130°C

HALOGEN-FREE

				TITLE SNAP-FIT GROMMET IP54	
				MATERIAL TPE 65ShA V0	DATE 17/03/2020
PART NUMBER 12266PF117035				DRAWING NUMBER 20.03.17.12266.0.E	
DRAWN R.F.				CHECK	
COLOR RAL 7035				APPROVED	
SIZE A4	SCALE 1:2	UNIT mm.	REV A	UNLESS OTHERWISE SPECIFIED TOLERANCE SEE ABOVE	