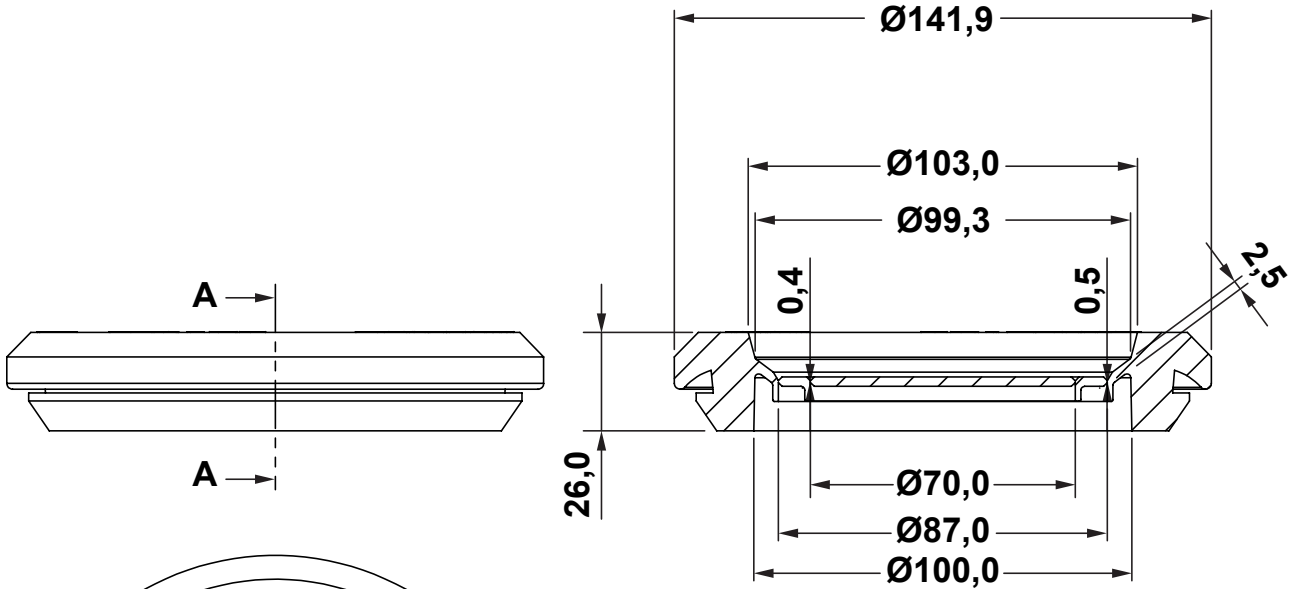


DIM.	TOL.
5mm DOWN	±0.2
5~20mm	±0.3
20~40mm	±0.4
40~60mm	±0.5
60~100mm	±0.8
100mm UP	±1.0

REVISIONS			
REV	DESCRIPTION	DATE	BY



**SECTION A-A**


**NOTES:**

**MOUNTING HOLE: Ø120,0**

**PANEL THICKNESS 1,5 - 6,0**

**WORKING TEMPERATURE -40°C - +130°C**

**HALOGEN-FREE**

				TITLE <b>SNAP-FIT GROMMET IP54</b>	
				MATERIAL TPE 65ShA V0	DATE 20/05/2022
PART NUMBER <b>12266PV02</b>				DRAWN A.C.	
				DRAWING NUMBER 22.05.20.12266.0.E	
SIZE A4				COLOR WHITE	
				CHECK	
SCALE 1:2		UNIT mm.		UNLESS OTHERWISE SPECIFIED TOLERANCE SEE ABOVE	
REV A		APPROVED			