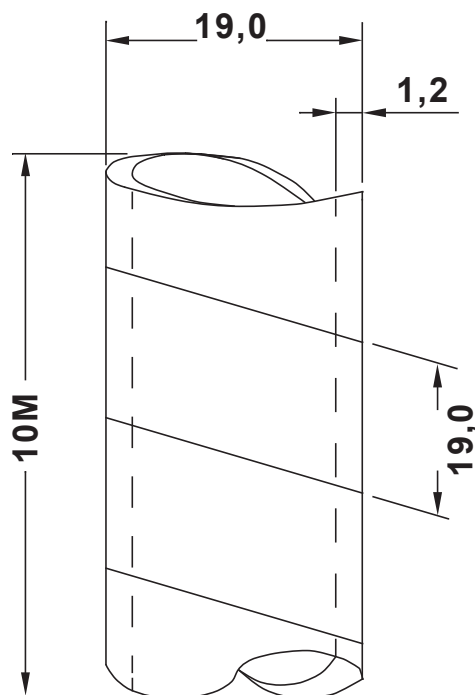


DIM.	TOL.
5mm DOWN	±0.2
5~20mm	±0.3
20~40mm	±0.4
40~60mm	±0.5
60~100mm	±0.8
100mm UP	±1.0

REVISIONS			
REV	DESCRIPTION	DATE	BY



**TITLE**  
**SPIRAL WRAPPING BANDS**

MATERIAL PE-LD	DATE 22/05/2022
-------------------	--------------------

	DRAWN A.C.
--	---------------

COLOR NATURAL	CHECK
------------------	-------

UNLESS OTHERWISE SPECIFIED TOLERANCE SEE ABOVE	APPROVED
--	----------

PART NUMBER 6672EA00	DRAWING NUMBER 22.05.25.6672.0.E
-------------------------	-------------------------------------

SIZE A4	SCALE NTS	UNIT mm.	REV A
------------	--------------	-------------	----------