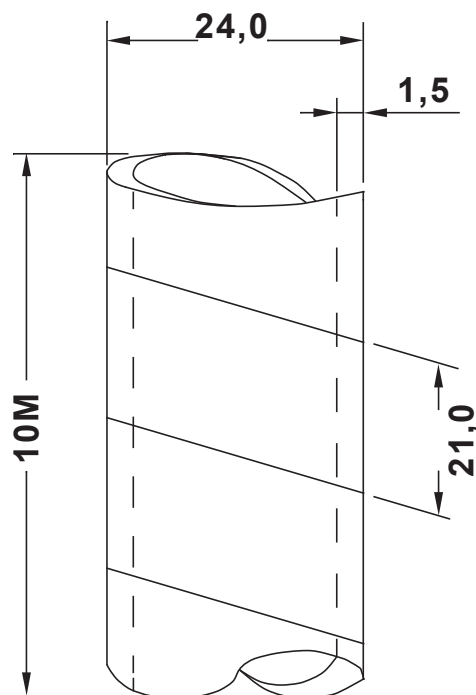



DIM.	TOL.
5mm DOWN	±0.2
5~20mm	±0.3
20~40mm	±0.4
40~60mm	±0.5
60~100mm	±0.8
100mm UP	±1.0

REVISIONS			
REV	DESCRIPTION	DATE	BY



				TITLE SPIRAL WRAPPING BANDS	
				MATERIAL PE-LD	DATE 22/05/2022
PART NUMBER 6673EA00				DRAWN A.C.	
				DRAWING NUMBER 22.05.25.6673.0.E	
SIZE A4				COLOR NATURAL	
SCALE NTS				CHECK	
UNIT mm.				UNLESS OTHERWISE SPECIFIED TOLERANCE SEE ABOVE	
REV A				APPROVED	