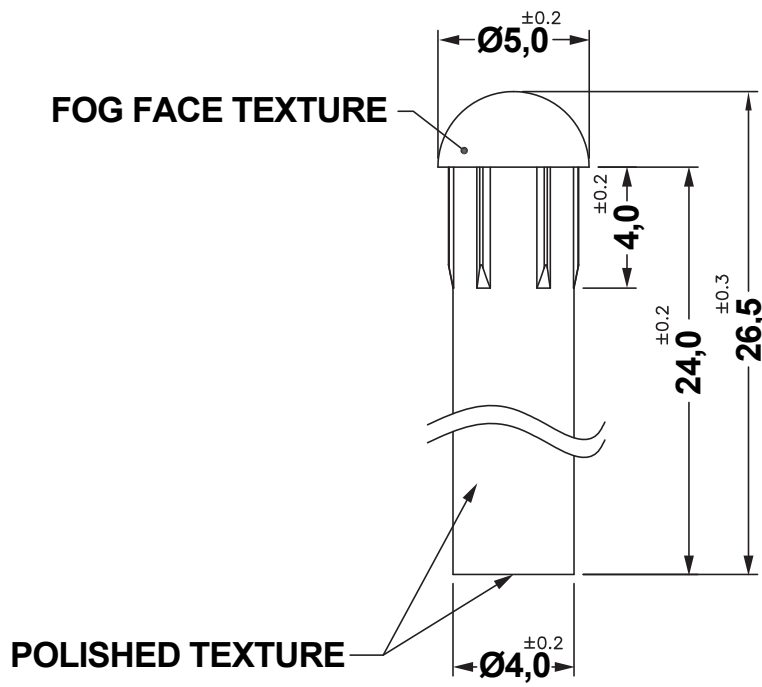
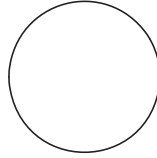



DIM.	TOL.
5mm DOWN	±0.2
5~20mm	±0.3
20~40mm	±0.4
40~60mm	±0.5
60~100mm	±0.8
100mm UP	±1.0

REVISIONS			
REV	DESCRIPTION	DATE	BY



MOUNTING HOLE: Ø4,2

				TITLE LED LIGHT PIPE	
				MATERIAL PC V2(UL94)	DATE 28/04/2020
PART NUMBER 14459NA00				DRAWN R.F.	
				COLOR CLEAR	
SIZE A4	SCALE 4:1	UNIT mm.	REV A	UNLESS OTHERWISE SPECIFIED TOLERANCE SEE ABOVE	
DRAWING NUMBER 20.04.28.14459.0.E				APPROVED	