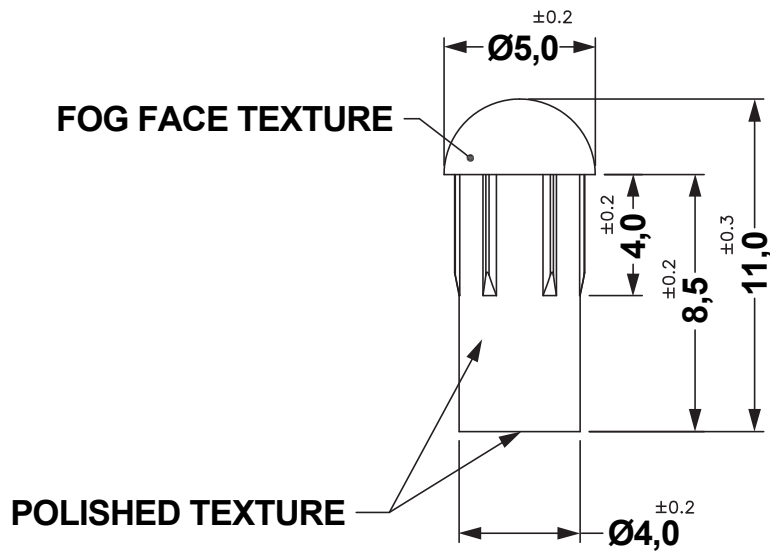
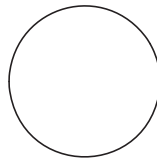



REVISIONS			
REV	DESCRIPTION	DATE	BY



MOUNTING HOLE: $\varnothing 4,2$ mm

				TITLE LED LIGHT PIPE	
				MATERIAL PC V2(UL94)	DATE 28/04/2020
PART NUMBER 14481NA00				DRAWN R.F.	
				COLOR CLEAR	
DRAWING NUMBER 20.04.28.14481.0.E		UNLESS OTHERWISE SPECIFIED TOLERANCE SEE ABOVE		APPROVED	
SIZE A4	SCALE 4:1	UNIT mm.	REV A		