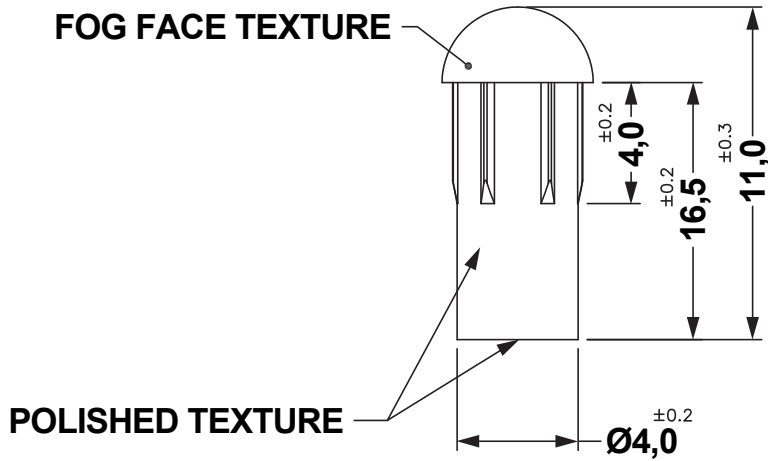
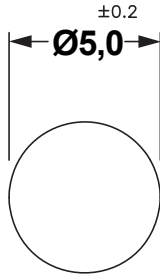



REVISIONS			
REV	DESCRIPTION	DATE	BY



MOUNTING HOLE: Ø4,2 mm

				TITLE LED LIGHT PIPE	
				MATERIAL PC V2(UL94)	DATE 28/04/2020
PART NUMBER 14482NA00				DRAWN R.F.	
				DRAWING NUMBER 20.04.28.14482.0.E	
SIZE A4				COLOR CLEAR	
SCALE NTS				CHECK	
UNIT mm.				UNLESS OTHERWISE SPECIFIED TOLERANCE SEE ABOVE	
REV A				APPROVED	