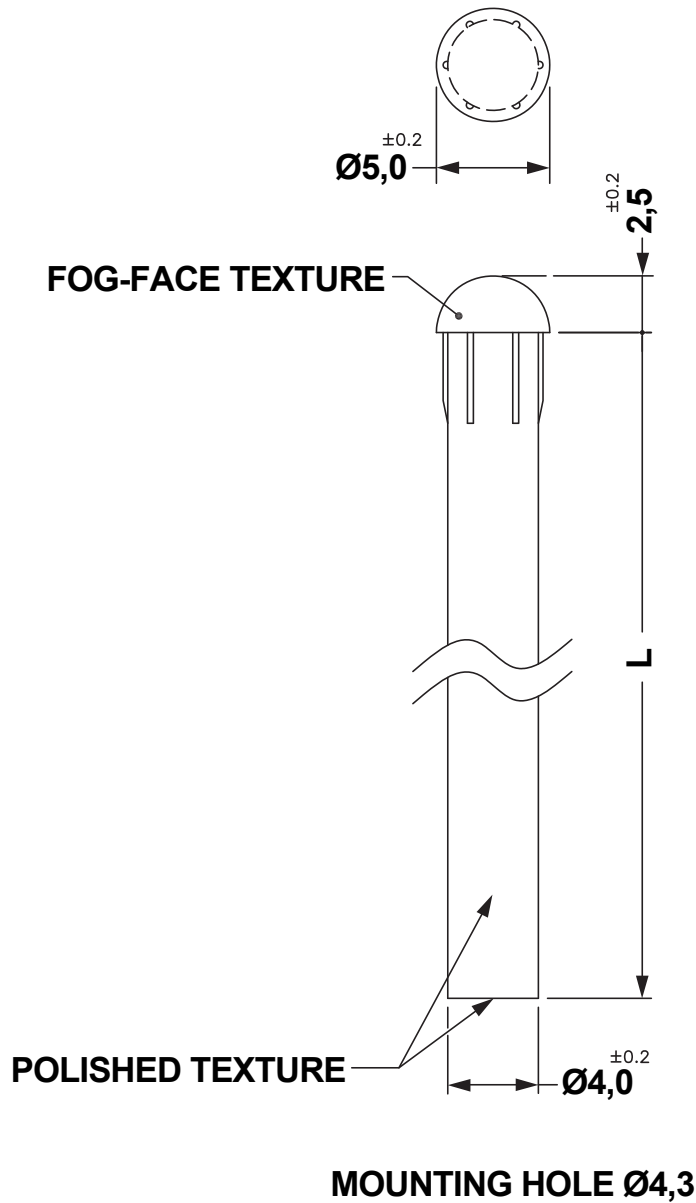



REVISIONS			
REV	DESCRIPTION	DATE	BY



P/N	L	FLAMMABILITY
14484NA00	36,0	V2(UL94)
14485NA00	37,5	V0(UL94)
14483NA00	43,5	V2(UL94)

				TITLE <b>LED LIGHT PIPE</b>	
				MATERIAL PC	DATE 28/04/2020
PART NUMBER SEE TABLE				DRAWN R.F.	
				DRAWING NUMBER 20.04.28.1448X.0.E	
SIZE A4				COLOR CLEAR	
SCALE 3:1				CHECK	
UNIT mm.				UNLESS OTHERWISE SPECIFIED TOLERANCE SEE ABOVE	
REV A				APPROVED	