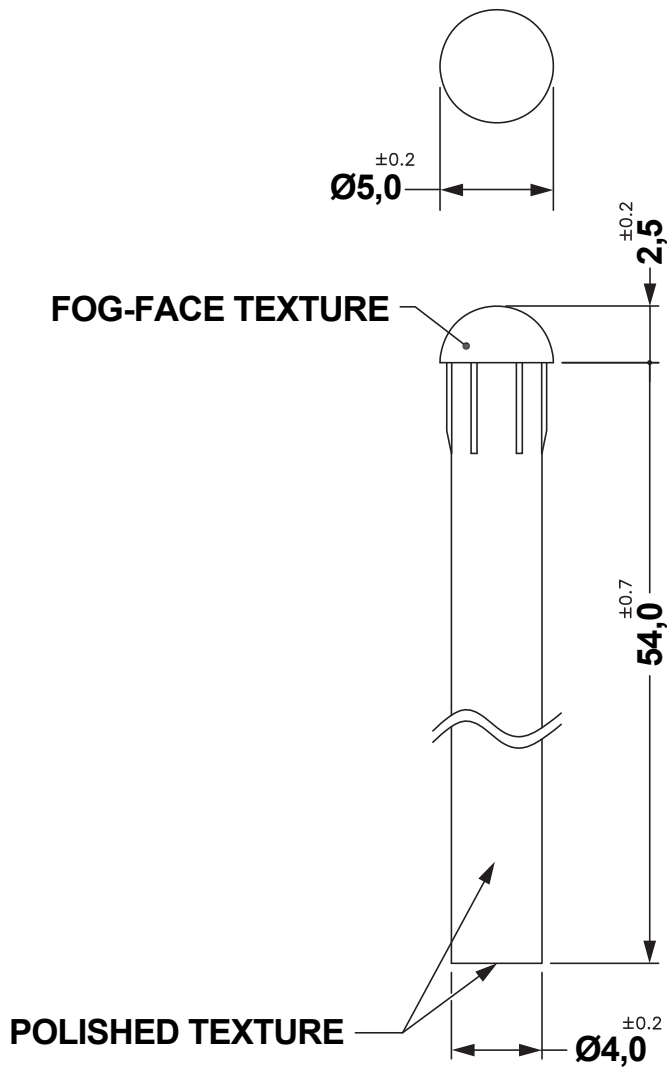



REVISIONS			
REV	DESCRIPTION	DATE	BY



MOUNTING HOLE: Ø4,3 mm

				TITLE LED LIGHT PIPE	
				MATERIAL PC V2(UL94)	DATE 28/04/2020
PART NUMBER 14487NA00				DRAWN R.F.	
				CHECK	
DRAWING NUMBER 20.04.28.14487.0.E		COLOR CLEAR		APPROVED	
SIZE A4	SCALE 3:1	UNIT mm.	REV A	UNLESS OTHERWISE SPECIFIED TOLERANCE SEE ABOVE	