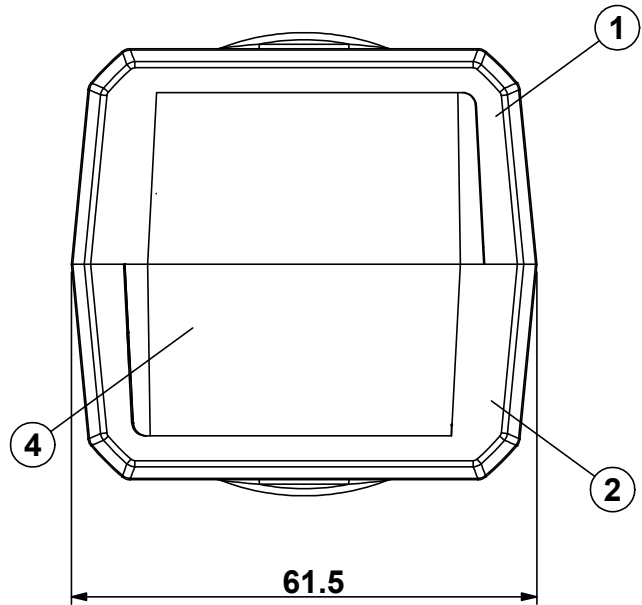
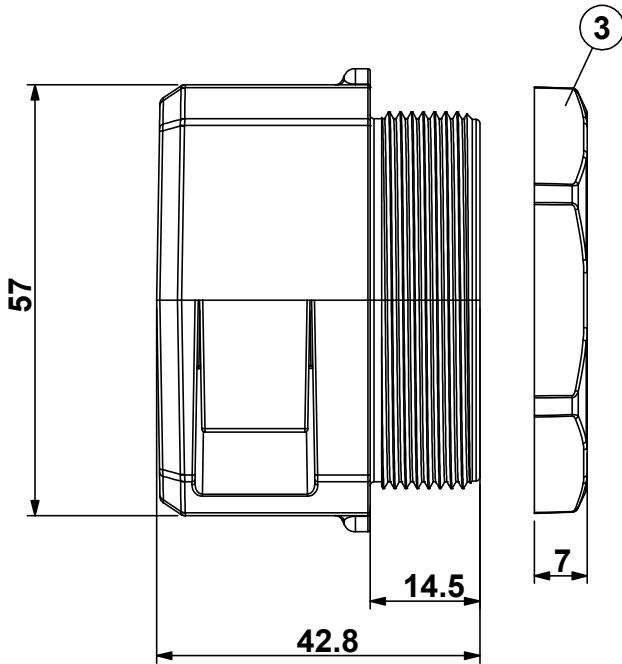
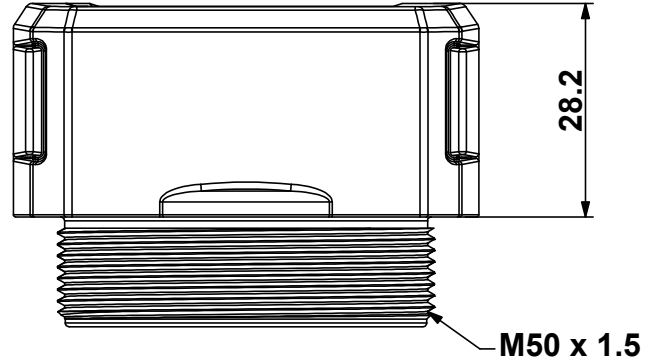
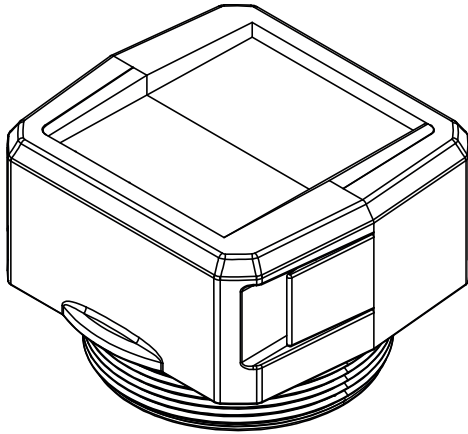


REVISIONS			
REV	DESCRIPTION	DATE	BY



Cut-out:  
Ø50.5mm



Flammability: UL94-V0, self-extinguishing  
 Temperature: -40°C ... +155°C  
 Properties: halogen-free, silicone-free

**SUPPLIER PRODUCT NUMBER: 1731060350**

Id	Description	Material	Q.ty
1	TOP	PC	1
2	BOTTOM	PC	1
3	LOCKNUT	PA	1
4	BRUSH	PA	1



TITLE			
<b>ROUND CABLE ENTRY BRUSH SYSTEMS.</b>			
MATERIAL		DATE	
SEE ABOVE		09/09/2021	
		DRAWN	
		R.F.	
COLOUR FRAME		CHECK	
BLACK			
UNLESS OTHERWISE SPECIFIED TOLERANCE		APPROVED	

PART NUMBER		DRAWING NUMBER	
17541NA01		09.09.21.17541.0.E	
SIZE	SCALE	UNIT	REV
A4	NTS	mm.	A