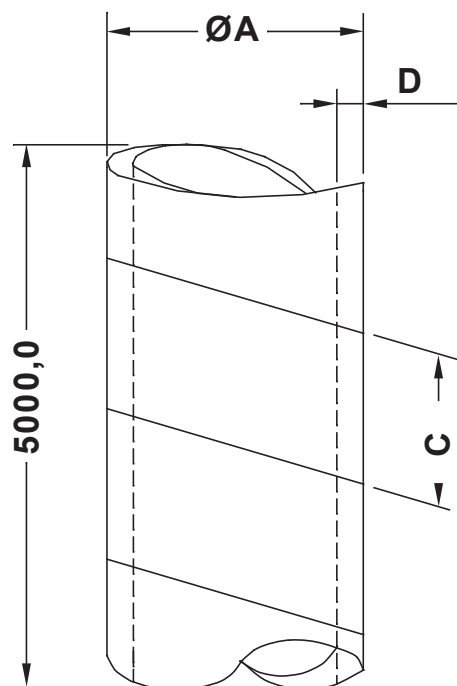


DIM.	TOL.
5mm DOWN	±0.2
5~20mm	±0.3
20~40mm	±0.4
40~60mm	±0.5
60~100mm	±0.8
100mm UP	±1.0

REVISIONS			
REV	DESCRIPTION	DATE	BY



P/N	ØA	C	D
6707EA00	8,0	10,0	0,8
6708EA00	15,0	14,0	0,8
6709EA00	20,0	17,0	0,9
6710EA00	25,0	20,0	1,0



TITLE **SPIRAL WRAPPING BANDS**

MATERIAL PE-LD	DATE 20/10/2022
-------------------	--------------------

HB (UL94)	DRAWN A.C.
-----------	---------------

COLOR NATURAL	CHECK
------------------	-------

UNLESS OTHERWISE SPECIFIED TOLERANCE SEE ABOVE	APPROVED
--	----------

PART NUMBER SEE TABLE	DRAWING NUMBER 22.10.20.67XX.0.E
--------------------------	-------------------------------------

SIZE A4	SCALE NTS	UNIT mm.	REV A
------------	--------------	-------------	----------