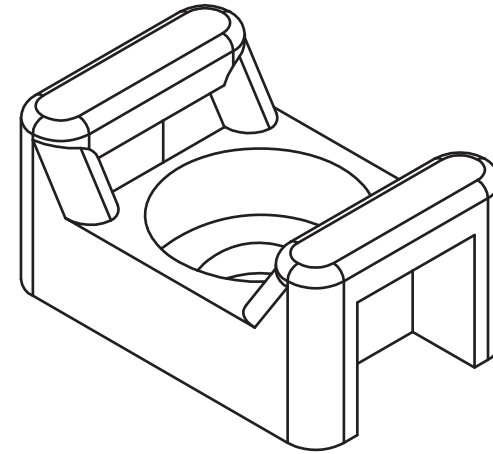
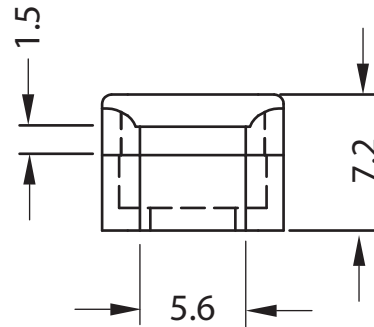
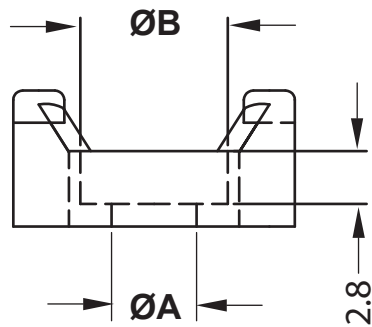
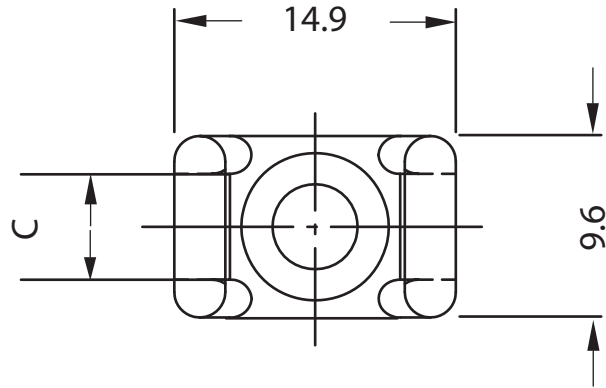


DIM.	TOL
5mm DOWN	±0.2
5~20mm	±0.3
20~40mm	±0.4
40~60mm	±0.5
60~100mm	±0.8
100mm UP	±1.0



PART NO.	A	B	C
3978AA00	3,7	7,0	5,0
4780AA00	4,5	7,8	5,6

REV.	DESCRIPTION	DATE	TITLE:	FILE:	DwN:	ChkD:
	MATERIAL: PA 6.6 Natural UL 94 V2 / File No. 41938 Temperatur Range -35°C to +85°C		Cable Tie Holder		12/11/12	
			<i>Modelled in RHINO 4.0</i>		DT: 12.11.12.3978.O.E	
			TOLLERANCES UNLESS NOTED .XX= +/-010 .XXX= +/-005 FRAC.=+/- 1/64 ANG.=+/-1°	SHEET: 1 OF 1		Part Number: SEE TABLE
				SCALE: NTS		

DWG UNIT: MM