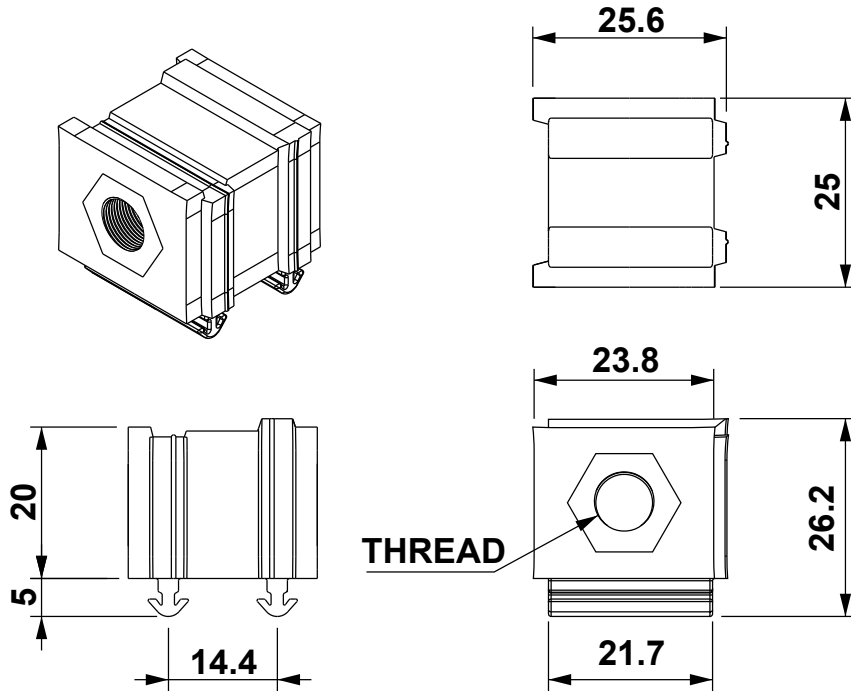


REVISIONS			
REV	DESCRIPTION	DATE	BY




FASTPOINT P/N	THREAD
17542PS11	M8 x 0,5
18954PS11	M12 x 1,0



**Infiammabilità:** UL94-V0, autoestinguente

**Temperatura:** -40°C ... +110°C

**Proprietà:** senza alogeni, senza siliconi

				TITLE <b>SMALL GROMMETS WITH M8 AND M12 THREADED INSERTS</b>	
				MATERIAL TPE / BRASS	
PART NUMBER SEE TABLE				DRAWING NUMBER 24.03.21.17542.0.E	
SIZE A4		SCALE 1:1		COLOR GREY	
UNIT mm.		REV A		CHECK 	
UNLESS OTHERWISE SPECIFIED TOLERANCE SEE ABOVE				APPROVED 	