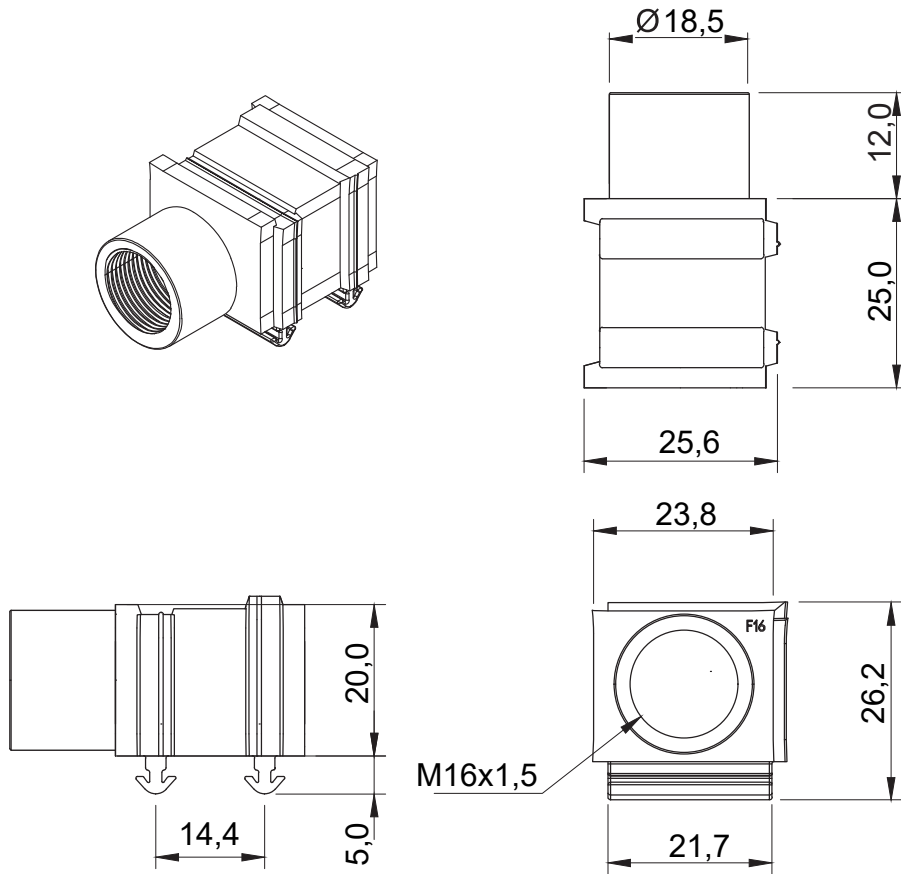
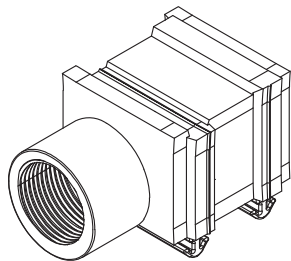


REVISIONS			
REV	DESCRIPTION	DATE	BY



FLAMMABILITY: UL94-V0, SELF-EXTINGUISHING
WORKING TEMPERATURE: -40°C ~+110°C
PROPERTIES: HALOGEN-FREE, SILICONE-FREE
THREAD Ø: M16 x 1,5

NEMA 12	ECOLAB	IP65	UV ISO 4892-2A	RoHS COMPLIANT	UL94-V0
-------------------	--------	------	-------------------	-------------------	---------

		TITLE GROMMET			
		MATERIAL TPE / BRASS		DATE 21/03/2024	
PART NUMBER 18955PS11		DRAWING NUMBER 24/03/21.18955.E		DRAWN E.B.	
SIZE A4		SCALE 1:2		CHECK	
UNIT mm.	REV A	COLOR GREY		APPROVED	
UNLESS OTHERWISE SPECIFIED TOLERANCE SEE ABOVE				APPROVED	