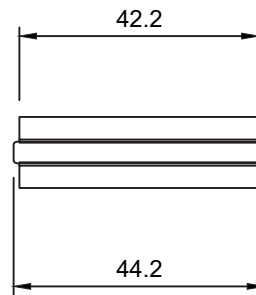
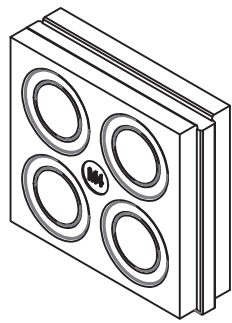
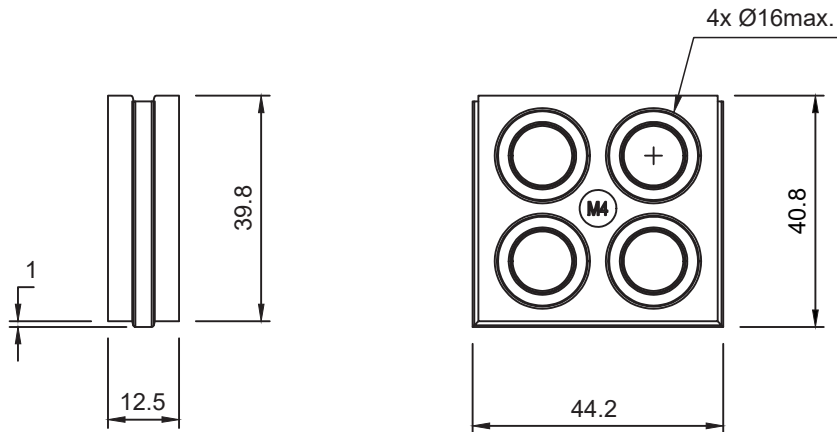


REVISIONS			
REV	DESCRIPTION	DATE	BY



P/N GREY	P/N BLACK
18981PS11	18984PS01

Flammability: UL94-V0, self-extinguishing
Temperature: -40°C ... +110°C
Properties: halogen-free, silicone-free

HL3 EN 45545-2	IP54	NEMA 12X	UL TYPE 12, 4X	UL US pending
ECOLAB	UL94-V0	UV ISO 4892-2A	RoHS COMPLIANT	APPROVED MARINE TYPE



TITLE GROMMETS			
MATERIAL TPE		DATE 20/03/2024	
		DRAWN E.B.	
PART NUMBER 18981PS11		DRAWING NUMBER 24/03/20.18981.E	
COLOR BLACK		CHECK	
SIZE A4	SCALE 1:2	UNIT mm.	REV A
UNLESS OTHERWISE SPECIFIED TOLERANCE SEE ABOVE			APPROVED