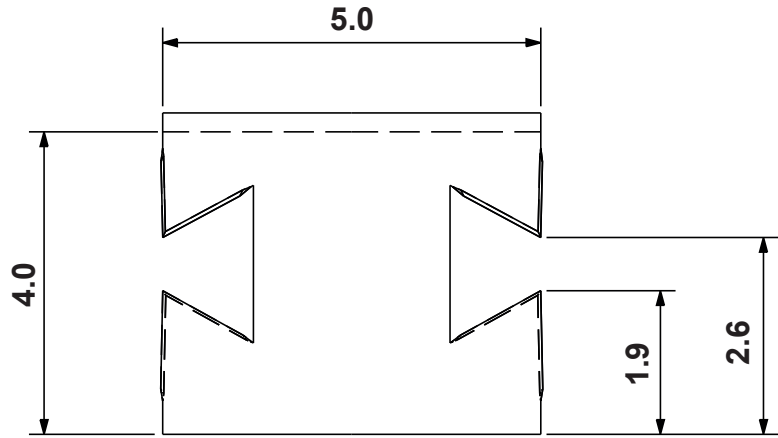
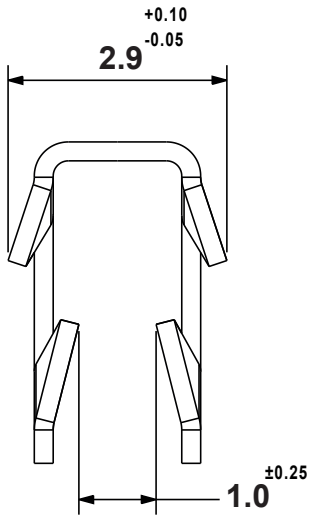
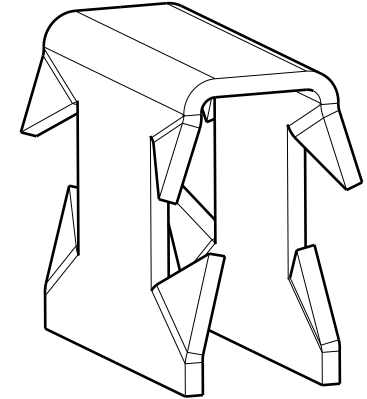


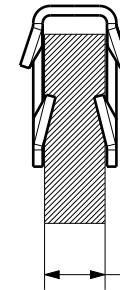
REVISIONS			
REV	DESCRIPTION	DATE	BY



**ISOMETRIC VIEW
SCALE 10:1**



**USE CONDITION
SCALE 5:1**



THICKNESS: 1.2 - 1.6

DESCRIPTION		TITLE: EDGE CLIP		DWG UNIT: MM	
MATERIAL: C67S A		Modelled in RHINO 4.0		FILE:	
FINISH: ZN 10µ MIN +CR3		TOLLERANCES UNLESS NOTED		DwN: 19/05/21	
		SHEET: 1 OF 1		ChkD:	
		SCALE: 10:1		DT: 21.05.19.15646.0.E	
		±0.3 / ±5°		Part Number: 15646MC94	
REV.		DATE			