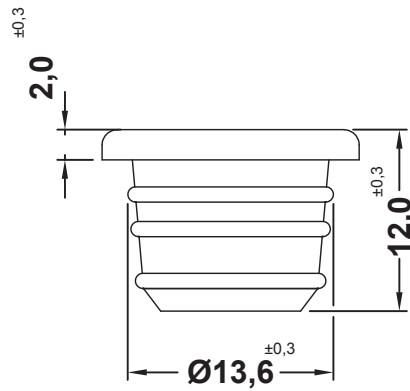
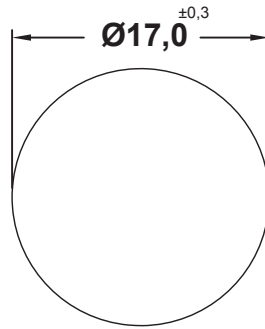



REVISIONS			
REV	DESCRIPTION	DATE	BY



MOUNTING HOLES: Ø 12,0

				TITLE SEAL PLUG	
				MATERIAL SILICON RUBBER	DATE 28/07/2022
PART NUMBER 18235SI01				DRAWN A.C.	
				DRAWING NUMBER 22.07.28.18235X.E	
SIZE A4				COLOR BLACK	
				CHECK	
SCALE 2:1		UNIT mm.		REV A	
UNLESS OTHERWISE SPECIFIED TOLERANCE SEE ABOVE				APPROVED	