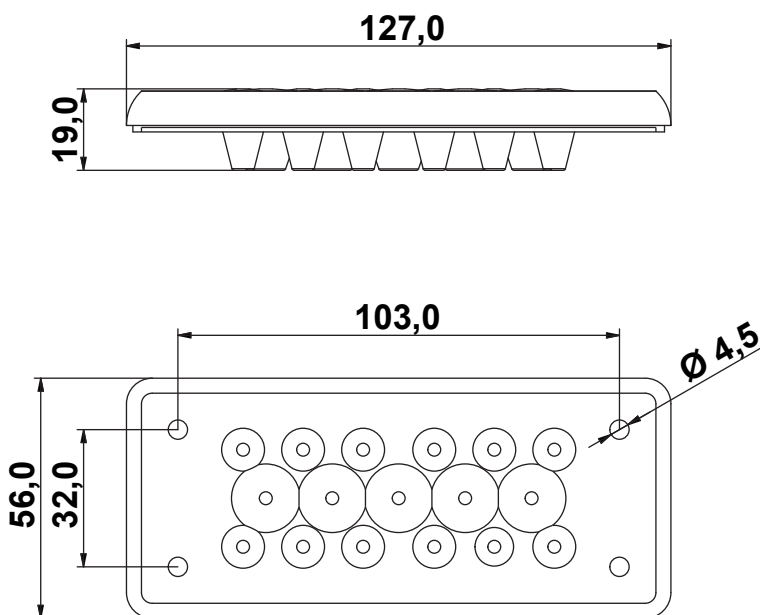


DIM.	TOL.
5mm DOWN	±0.2
5~20mm	±0.3
20~40mm	±0.4
40~60mm	±0.5
60~100mm	±0.8
100mm UP	±1.0

REVISIONS			
REV	DESCRIPTION	DATE	BY



WORKING TEMPERATURE: -40°C ~ +90°C
CUTOUT: 86,0 x 36,0 mm
PROPERTIES: HALOGEN-FREE
IP RATING: IP66
FLAMMABILITY: V0 (UL94)
NO. OF CABLE LEAD-THROUGHS: 17
MAX CABLE Ø 13,0 mm
MIN CABLE Ø 3,0 mm
INSTALLATION RANGE (DIAMETER PER CABLES):
 - 12 x 3 - 7 mm
 - 5 x 7 - 13 mm

				TITLE CABLE ENTRY PLATE IP66	
				MATERIAL TPE V0 (UL94)	DATE 22/02/2024
PART NUMBER 18699PS117035				DRAWING NUMBER 24.02.22.18699.0.E	
				COLOR RAL 7035	DRAWN E.B.
SIZE A4	SCALE NTS	UNIT mm.	REV A	CHECK UNLESS OTHERWISE SPECIFIED TOLERANCE SEE ABOVE	APPROVED