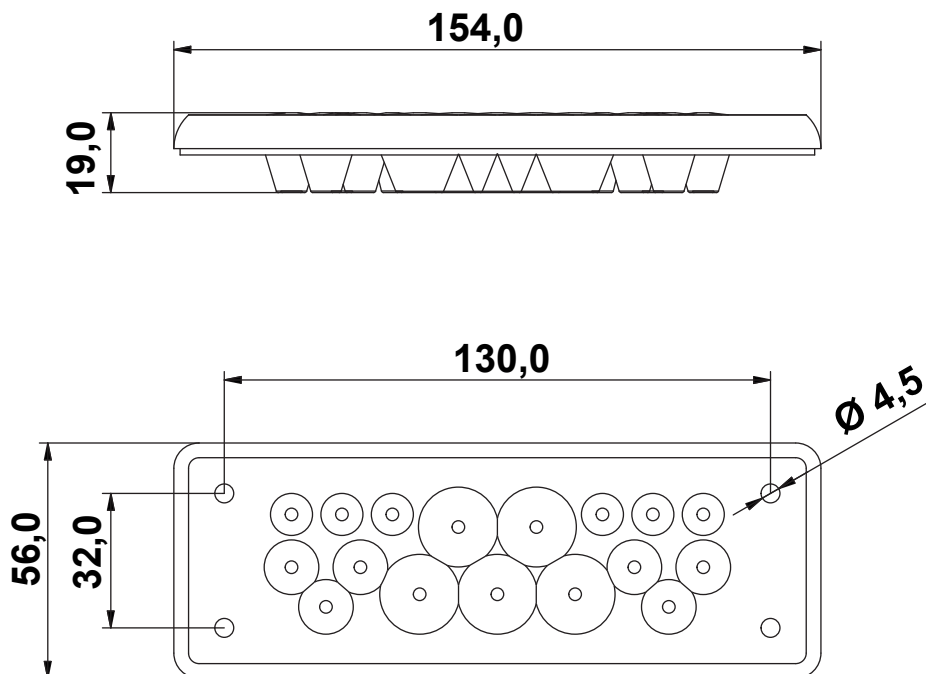


DIM.	TOL.
5mm DOWN	±0.2
5~20mm	±0.3
20~40mm	±0.4
40~60mm	±0.5
60~100mm	±0.8
100mm UP	±1.0

REVISIONS			
REV	DESCRIPTION	DATE	BY



WORKING TEMPERATURE: -40°C ~ +90°C

CUTOUT: 112,0 x 36,0 mm

IP RATING: IP66

FLAMMABILITY: V0 (UL94)

NO. OF CABLE LEAD-THROUGHS: 17

MAX CABLE Ø 16,0 mm

MIN CABLE Ø 3,0 mm

INSTALLATION RANGE (DIAMETER PER CABLES):

- 6 x 3 - 7 mm
- 6 x 5 - 10 mm
- 5 x 9 - 16 mm

				TITLE CABLE ENTRY PLATE IP66	
				MATERIAL TPE V0 (UL94)	DATE 22/02/2024
					DRAWN E.B.
PART NUMBER 18700PS117035		DRAWING NUMBER 24.02.22.18700.0.E		COLOR RAL 7035	CHECK
SIZE A4	SCALE NTS	UNIT mm.	REV A	UNLESS OTHERWISE SPECIFIED TOLERANCE SEE ABOVE	APPROVED