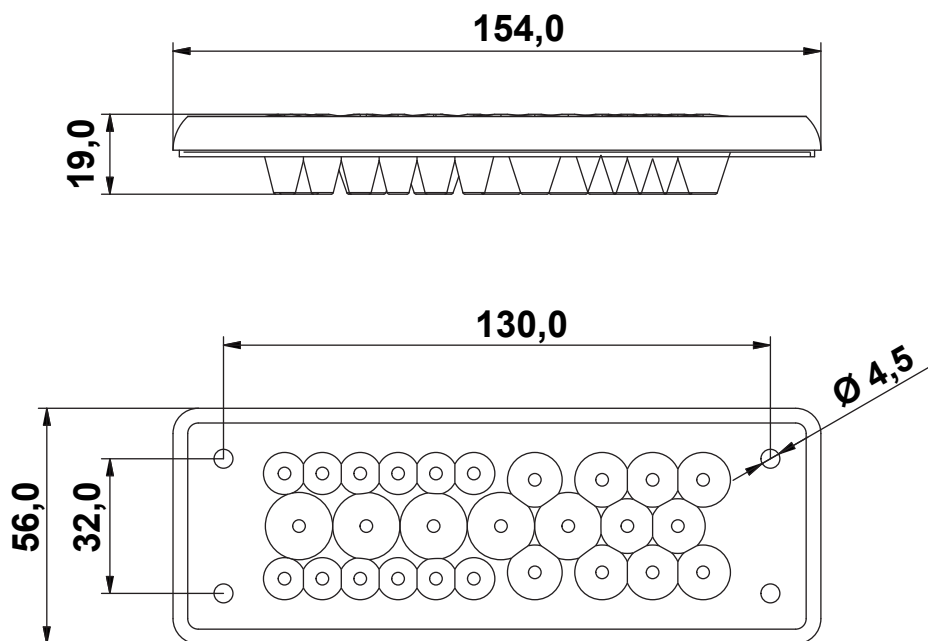


| DIM. | TOL. |
|----------|------|
| 5mm DOWN | ±0.2 |
| 5~20mm | ±0.3 |
| 20~40mm | ±0.4 |
| 40~60mm | ±0.5 |
| 60~100mm | ±0.8 |
| 100mm UP | ±1.0 |

| REVISIONS | | | |
|-----------|-------------|------|----|
| REV | DESCRIPTION | DATE | BY |
| | | | |
| | | | |



WORKING TEMPERATURE: -40°C ~ +90°C

CUTOUT: 112,0 x 36,0mm

IP RATING: IP66

FLAMMABILITY: V0 (UL94)

NO. OF CABLE LEAD-THROUGHS: 27

MAX CABLE Ø 13,0 mm

MIN CABLE Ø 3,0 mm

INSTALLATION RANGE (DIAMETER PER CABLES):

- 12 x 3 - 7 mm
- 10 x 4,5 - 10 mm
- 5 x 7 - 13 mm

| | | | | | |
|------------------------------|--|--|--|--|--------------------|
| | | | | TITLE CABLE ENTRY PLATE IP66 | |
| | | | | MATERIAL TPE V0 (UL94) | DATE 22/02/2024 |
| PART NUMBER 18703PS117035 | | | | DRAWN E.B. | |
| | | | | DRAWING NUMBER 24.02.22.18703.0.E | |
| SIZE A4 | | | | COLOR RAL 7035 | |
| | | | | CHECK | |
| SCALE NTS | | | | UNLESS OTHERWISE SPECIFIED TOLERANCE SEE ABOVE | |
| | | | | APPROVED | |
| UNIT mm. | | | | REV A | |
| | | | | | |