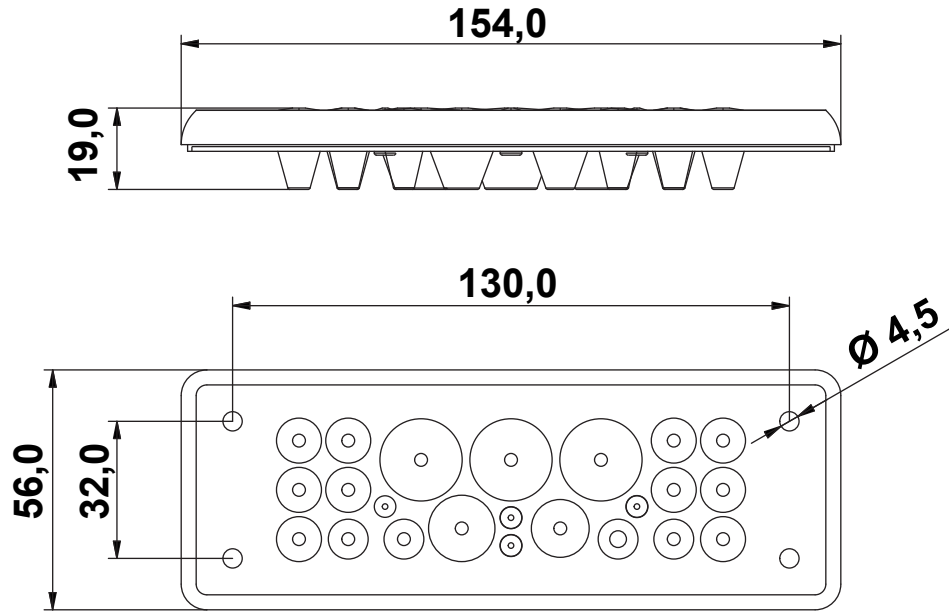


DIM.	TOL.
5mm DOWN	±0.2
5~20mm	±0.3
20~40mm	±0.4
40~60mm	±0.5
60~100mm	±0.8
100mm UP	±1.0

REVISIONS			
REV	DESCRIPTION	DATE	BY



WORKING TEMPERATURE: -40°C ~ +90°C

CUTOUT: 112,0 x 36,0 mm

IP RATING: IP66

FLAMMABILITY: V0 (UL94)

NO. OF CABLE LEAD-THROUGHS: 23

MAX CABLE Ø 16,0 mm

MIN CABLE Ø 2,0 mm

INSTALLATION RANGE (DIAMETER PER CABLES):

- 4 x 1,5 - 3 mm
- 4 x 3,2 - 6,3 mm
- 10 x 4 - 7,5 mm
- 1 x 5,5 - 10,5 mm
- 1 x 8 - 12,5 mm
- 3 x 12 - 16,2 mm

				TITLE CABLE ENTRY PLATE IP66	
				MATERIAL TPE V0 (UL94)	DATE 22/02/2024
					DRAWN E.B.
PART NUMBER 18706PS117035		DRAWING NUMBER 24.02.22.18706.0.E		COLOR RAL 7035	CHECK
SIZE A4	SCALE NTS	UNIT mm.	REV A	UNLESS OTHERWISE SPECIFIED TOLERANCE SEE ABOVE	APPROVED