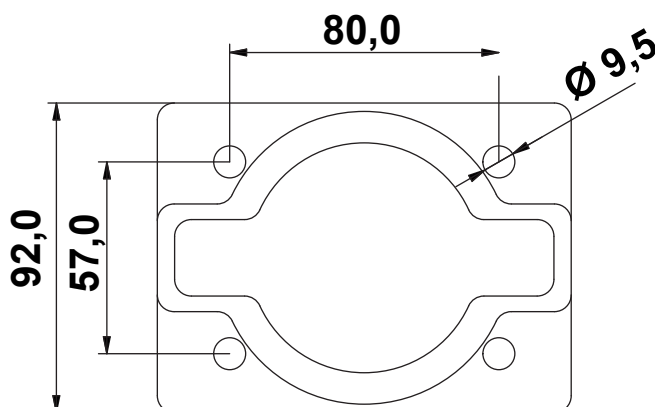
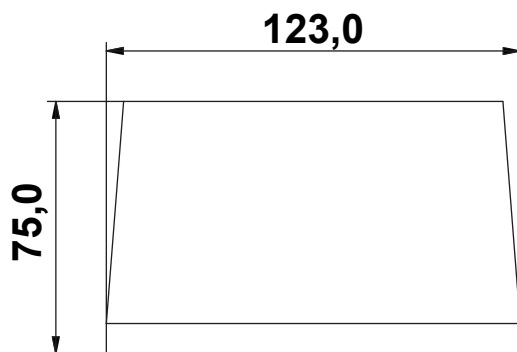


DIM.	TOL.
5mm DOWN	±0.2
5~20mm	±0.3
20~40mm	±0.4
40~60mm	±0.5
60~100mm	±0.8
100mm UP	±1.0

REVISIONS			
REV	DESCRIPTION	DATE	BY



**WORKING TEMPERATURE: -40°C ~ +100°C**  
**CUTOUT: Ø 70,0 mm**  
**IP RATING: IP55**  
**FLAMMABILITY: V0 (UL94)**  
**NO. OF CABLE LEAD-THROUGHS: 1**  
**MAX CABLE Ø 67,0 mm**  
**MIN CABLE Ø 8,0 mm**  
**INSTALLATION RANGE (DIAMETER PER CABLES):**  
**- 1 x 8 - 67 mm**

				TITLE <b>SPLITTING ENTRY SYSTEM IP55</b>	
				MATERIAL TPE V0 (UL94)	DATE 23/02/2024
PART NUMBER 18740PS019005				DRAWING NUMBER 24.02.23.18740.0.E	
				COLOR RAL 9005	CHECK
SIZE A4	SCALE NTS	UNIT mm.	REV A	UNLESS OTHERWISE SPECIFIED TOLERANCE SEE ABOVE	APPROVED