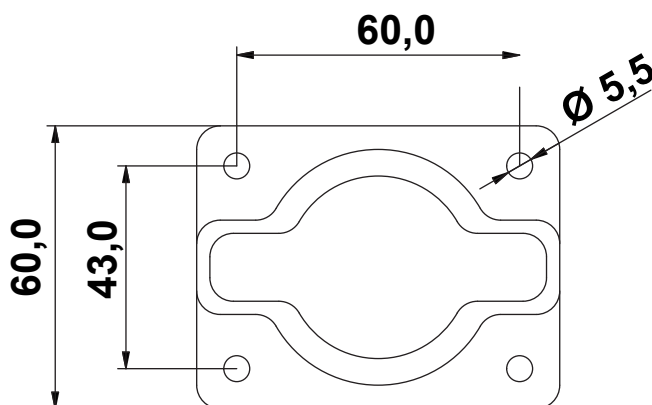
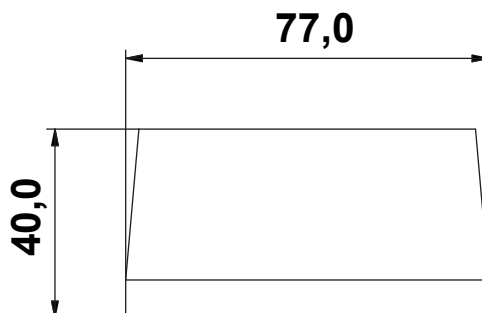


DIM.	TOL.
5mm DOWN	±0.2
5~20mm	±0.3
20~40mm	±0.4
40~60mm	±0.5
60~100mm	±0.8
100mm UP	±1.0

REVISIONS			
REV	DESCRIPTION	DATE	BY



WORKING TEMPERATURE: -40°C ~ +100°C
CUTOUT: Ø 35,0 mm
IP RATING: IP55
FLAMMABILITY: V0 (UL94)
NO. OF CABLE LEAD-THROUGHS: 1
MAX CABLE Ø 35,0 mm
MIN CABLE Ø 3,0 mm
INSTALLATION RANGE (DIAMETER PER CABLES):
 - 1 x 3 - 35 mm

				TITLE SPLITTING ENTRY SYSTEM IP55	
				MATERIAL TPE V0 (UL94)	DATE 23/02/2024
PART NUMBER 18741PS019005				DRAWING NUMBER 24.02.23.18741.0.E	
				COLOR RAL 9005	CHECK
SIZE A4	SCALE NTS	UNIT mm.	REV A	UNLESS OTHERWISE SPECIFIED TOLERANCE SEE ABOVE	APPROVED