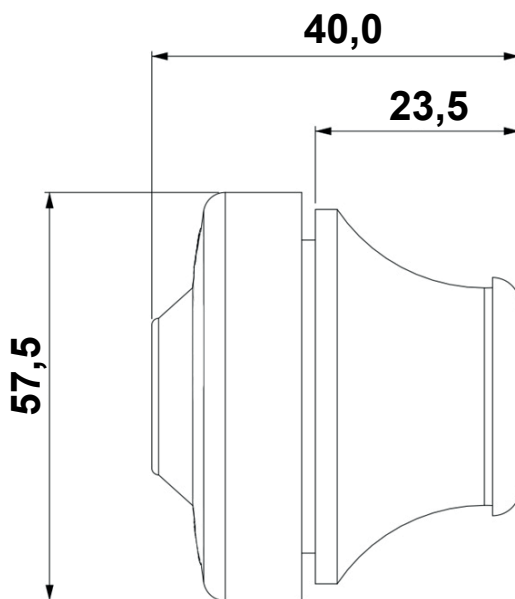


DIM.	TOL.
5mm DOWN	±0.2
5~20mm	±0.3
20~40mm	±0.4
40~60mm	±0.5
60~100mm	±0.8
100mm UP	±1.0

REVISIONS			
REV	DESCRIPTION	DATE	BY



**WORKING TEMPERATURE: -40°C ~ +100°C**  
**CUTOUT: PG36**  
**IP RATING: IP67**  
**FLAMMABILITY: V0 (UL94)**  
**NO. OF CABLE LEAD-THROUGHS: 1**  
**CABLE Ø 26,0 - 35,0 mm**  
**HOLE DIAMETER: Ø 48,0 mm**  
**THICKNESS: 1,0 - 4,0 mm**

P/N RAL 7035	P/N RAL 9005
18750PS117035	18750PS019005

				TITLE <b>CABLE GROMMET IP67</b>	
				MATERIAL TPE V0 (UL94)	DATE 23/02/2024
PART NUMBER 18750PS				DRAWN E.B.	
				DRAWING NUMBER 24.02.23.18750.0.E	
SIZE A4				COLOR SEE ABOVE	
				CHECK	
SCALE NTS				UNLESS OTHERWISE SPECIFIED TOLERANCE SEE ABOVE	
				APPROVED	
UNIT mm.				REV A	