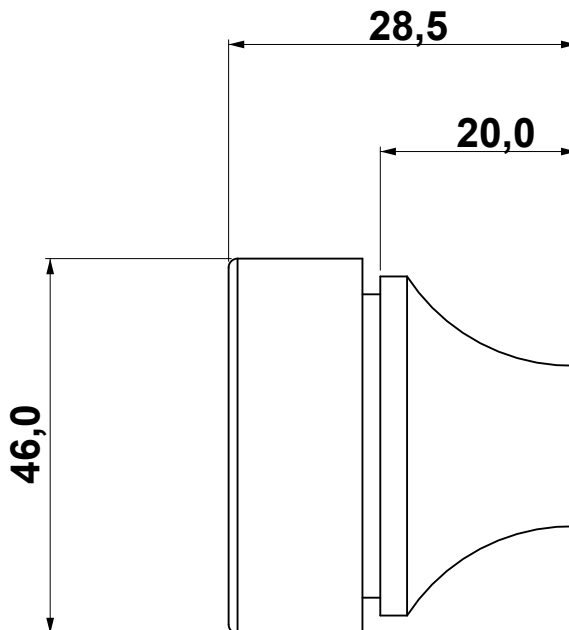


DIM.	TOL.
5mm DOWN	±0.2
5~20mm	±0.3
20~40mm	±0.4
40~60mm	±0.5
60~100mm	±0.8
100mm UP	±1.0

REVISIONS			
REV	DESCRIPTION	DATE	BY



WORKING TEMPERATURE: -40°C ~ +120°C
SIZE: PG29
PROPERTIES: HALOGEN-FREE
IP RATING: IP67
NO. OF CABLE LEAD-THROUGHS: 1
CABLE Ø 20,0 - 26,0 mm
HOLE DIAMETER: Ø 38,0 mm
THICKNESS: 1,0 - 4,0 mm

P/N RAL 7035	P/N RAL 9005
18765GS117035	18765GS019005

				TITLE CABLE GROMMET IP67			
				MATERIAL EPDM		DATE 27/02/2024	
				DRAWN E.B.		CHECK	
PART NUMBER 18765GS		DRAWING NUMBER 24.02.27.18765.0.E		COLOR SEE ABOVE			
SIZE A4	SCALE NTS	UNIT mm.	REV A	UNLESS OTHERWISE SPECIFIED TOLERANCE SEE ABOVE			
				APPROVED			