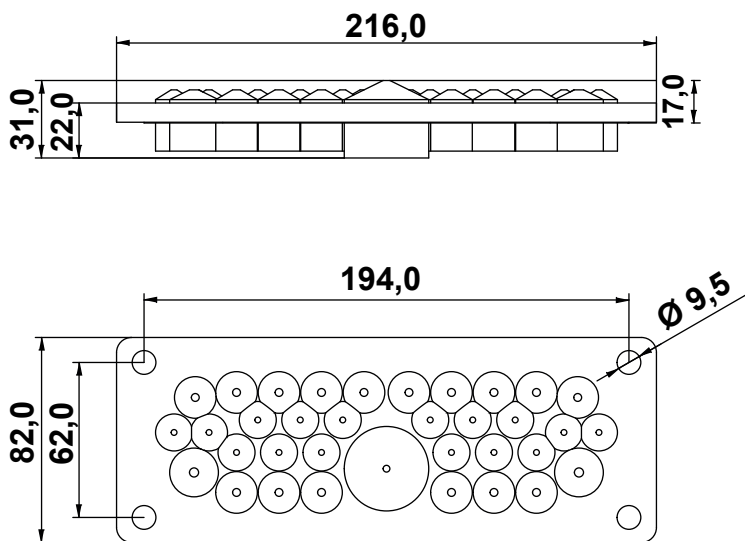


DIM.	TOL.
5mm DOWN	±0.2
5~20mm	±0.3
20~40mm	±0.4
40~60mm	±0.5
60~100mm	±0.8
100mm UP	±1.0

REVISIONS			
REV	DESCRIPTION	DATE	BY



WORKING TEMPERATURE: -40°C ~ +100°C
FLAMMABILITY: HB (UL94)
CUTOUT: 196,0 x 63,0 mm
PROPERTIES: HALOGEN-FREE
IP RATING: IP65
NO. OF CABLE LEAD-THROUGHS: 35
MAX CABLE \varnothing 32,0 mm
MIN CABLE \varnothing 6,0 mm
INSTALLATION RANGE (DIAMETER PER CABLES):

- 2 x 6 - 10 mm
- 14 x 7 - 12 mm
- 16 x 10 - 14 mm
- 2 x 12 - 18 mm
- 1 x 17 - 32 mm

				TITLE CABLE ENTRY PLATE IP65	
				MATERIAL TPE HB (UL94)	DATE 07/05/2024
PART NUMBER 18805PS117035				DRAWN E.B.	
				DRAWING NUMBER 24.05.07.18805.0.E	
SIZE A4				COLOR RAL 7035	
				CHECK	
SCALE NTS				UNLESS OTHERWISE SPECIFIED TOLERANCE SEE ABOVE	
				APPROVED	
UNIT mm.				REV A	