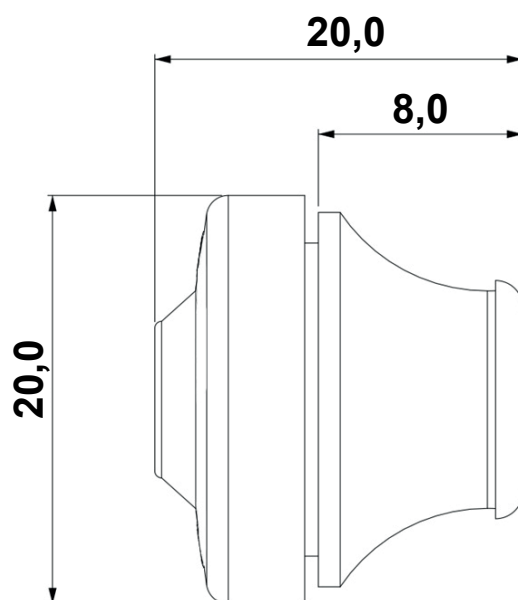


DIM.	TOL.
5mm DOWN	±0.2
5~20mm	±0.3
20~40mm	±0.4
40~60mm	±0.5
60~100mm	±0.8
100mm UP	±1.0

REVISIONS			
REV	DESCRIPTION	DATE	BY



WORKING TEMPERATURE: -40°C ~ +100°C
CUTOUT: PG7
IP RATING: IP67
FLAMMABILITY: HB (UL94)
NO. OF CABLE LEAD-THROUGHS: 1
CABLE Ø 3,0 - 5,0 mm
HOLE DIAMETER: Ø 13,0 mm
THICKNESS: 1,0 - 4,0 mm

				TITLE CABLE GROMMET IP67	
				MATERIAL TPE HB (UL94)	DATE 23/02/2024
					DRAWN E.B.
PART NUMBER 18816PS117042		DRAWING NUMBER 24.02.23.18816.0.E		COLOR RAL 7042	CHECK
SIZE A4	SCALE NTS	UNIT mm.	REV A	UNLESS OTHERWISE SPECIFIED TOLERANCE SEE ABOVE	APPROVED