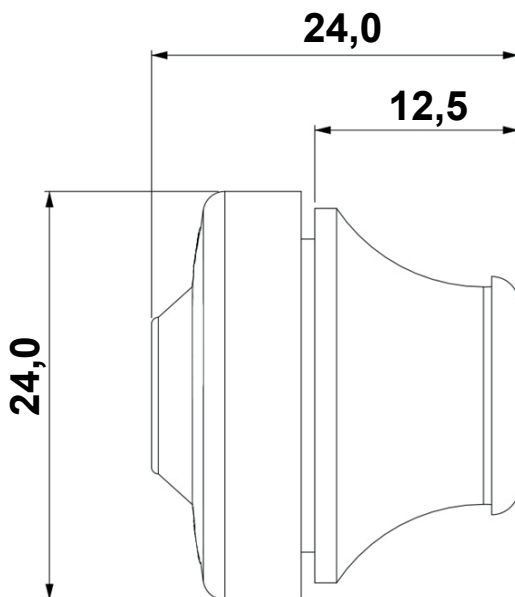


DIM.	TOL.
5mm DOWN	±0.2
5~20mm	±0.3
20~40mm	±0.4
40~60mm	±0.5
60~100mm	±0.8
100mm UP	±1.0

REVISIONS			
REV	DESCRIPTION	DATE	BY



WORKING TEMPERATURE: -40°C ~ +100°C
CUTOUT: PG11
IP RATING: IP67
FLAMMABILITY: HB (UL94)
NO. OF CABLE LEAD-THROUGHS: 1
CABLE Ø 7,0 - 10,0 mm
HOLE DIAMETER: Ø 19,0 mm
THICKNESS: 1,0 - 4,0 mm

		TITLE CABLE GROMMET IP67	
		MATERIAL TPE HB (UL94)	DATE 07/05/2024
PART NUMBER 18818PS117042		DRAWING NUMBER 24.05.07.18818.0.E	
DRAWING NUMBER 24.05.07.18818.0.E		COLOR RAL 7042	DRAWN E.B.
SIZE A4	SCALE NTS	UNIT mm.	REV A
UNLESS OTHERWISE SPECIFIED TOLERANCE SEE ABOVE		CHECK APPROVED	