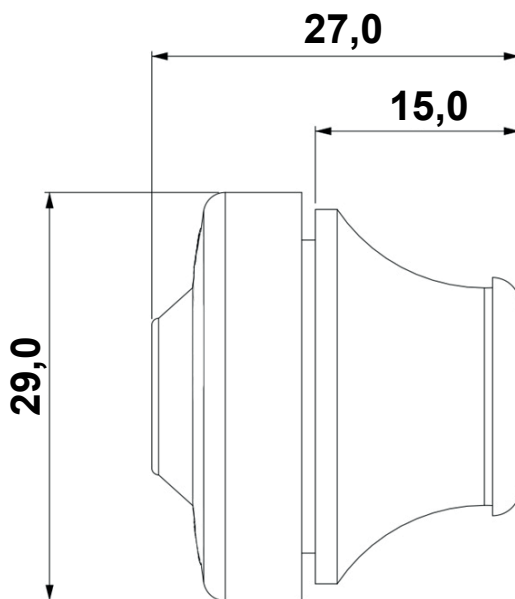


DIM.	TOL.
5mm DOWN	±0.2
5~20mm	±0.3
20~40mm	±0.4
40~60mm	±0.5
60~100mm	±0.8
100mm UP	±1.0

REVISIONS			
REV	DESCRIPTION	DATE	BY



WORKING TEMPERATURE: -40°C ~ +100°C
CUTOUT: PG16
IP RATING: IP67
FLAMMABILITY: HB (UL94)
NO. OF CABLE LEAD-THROUGHS: 1
CABLE Ø 10,0 - 14,0 mm
HOLE DIAMETER: Ø 23,0 mm
THICKNESS: 1,0 - 4,0 mm

				TITLE CABLE GROMMET IP67	
				MATERIAL TPE HB (UL94)	DATE 23/02/2024
PART NUMBER 18819PS117042 DRAWING NUMBER 24.02.23.18819.0.E				DRAWN E.B.	
				CHECK	
SIZE A4 SCALE NTS UNIT mm. REV A				COLOR RAL 7042	
UNLESS OTHERWISE SPECIFIED TOLERANCE SEE ABOVE				APPROVED	