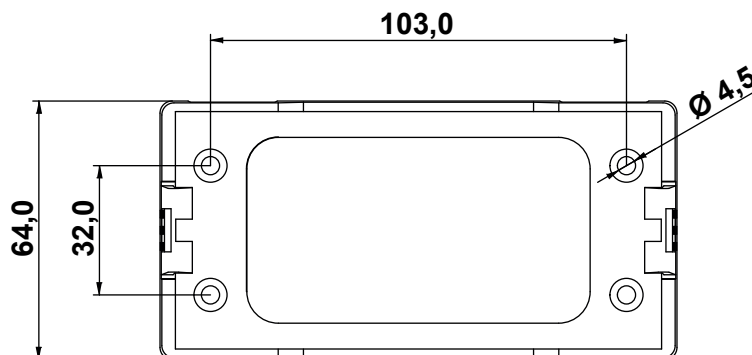
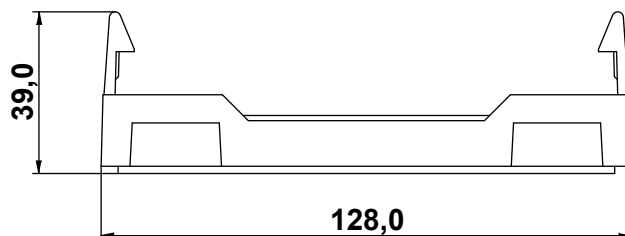


DIM.	TOL.
5mm DOWN	±0.2
5~20mm	±0.3
20~40mm	±0.4
40~60mm	±0.5
60~100mm	±0.8
100mm UP	±1.0

REVISIONS			
REV	DESCRIPTION	DATE	BY



**WORKING TEMPERATURE: -40°C ~ +120°C**  
**CUTOUT: 35mm x 86 mm**  
**PROPERTIES: HALOGEN-FREE, SILICONE-FREE**  
**IP RATING: IP54**  
**FLAMMABILITY: V0 (UL 94)**

				TITLE <b>SNAP-IN MOUNTING FRAME</b>	
				MATERIAL PA 6.6 V0	DATE 05/04/2024
PART NUMBER 18844AR01				DRAWN E.B.	
				DRAWING NUMBER 24.04.05.18844.0.E	
SIZE A4				COLOR BLACK	
				CHECK	
SCALE NTS		UNIT mm.		REV A	
UNLESS OTHERWISE SPECIFIED TOLERANCE SEE ABOVE				APPROVED	