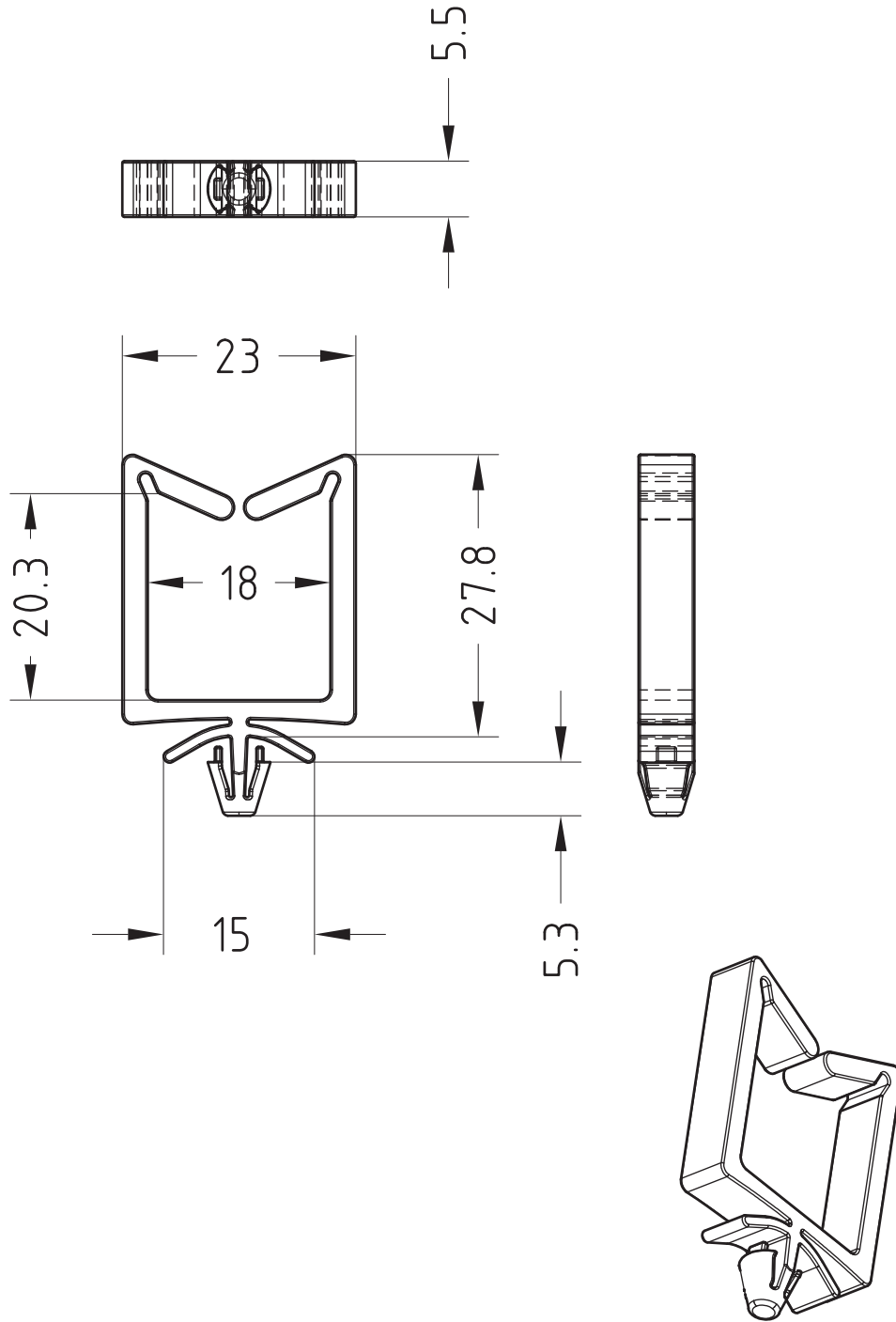



DIM.	TOL.
5mm DOWN	±0.2
5~20mm	±0.3
20~40mm	±0.4
40~60mm	±0.5
60~100mm	±0.8
100mm UP	±1.0

REVISIONS			
REV	DESCRIPTION	DATE	BY



				TITLE CABLE HOLDER	
				MATERIAL PA 6	DATE 08/08/2024
PART NUMBER 11387AA00				DRAWN E.B.	
				DRAWING NUMBER 24.08.08.11387.0.E	
PART NUMBER 11387AA00				COLOR NATURAL	
DRAWING NUMBER 24.08.08.11387.0.E				CHECK	
SIZE A4	SCALE NTS	UNIT mm.	REV A	UNLESS OTHERWISE SPECIFIED TOLERANCE SEE ABOVE	
				APPROVED	