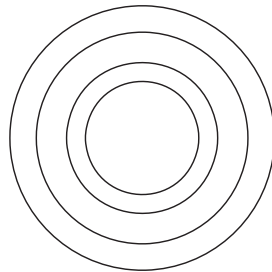
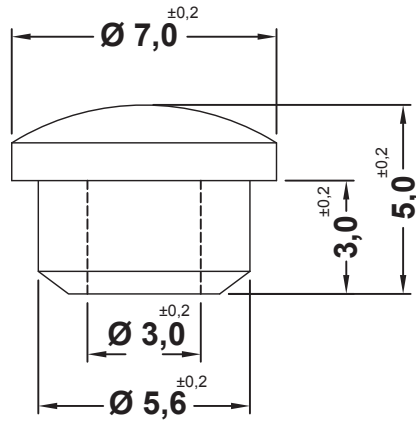



| DIM.          | TOL  |
|---------------|------|
| L ≤ 10        | ±0.2 |
| 10 < L ≤ 30   | ±0.3 |
| 30 < L ≤ 50   | ±0.5 |
| 50 < L ≤ 100  | ±0.7 |
| 100 < L ≤ 250 | ±1.2 |
| ABOVE 250     | ±1.5 |

| REVISIONS |             |      |    |
|-----------|-------------|------|----|
| REV       | DESCRIPTION | DATE | BY |
|           |             |      |    |
|           |             |      |    |



|   |              |             |          |  |                    |
|---|--------------|-------------|----------|--|--------------------|
|  |              |             |          | TITLE<br><b>HOLE PLUGS</b>                           |                    |
|   |              |             |          | MATERIAL<br>RUBBER (NR)                              | DATE<br>27/07/2022 |
| PART NUMBER<br>18224PD01  |              |             |          | DRAWN<br>A.C.  |                    |
|   |              |             |          | DRAWING NUMBER<br>22.07.27.18224X.E                  |                    |
| COLOR<br>BLACK  |              |             |          | CHECK  |                    |
| SIZE<br>A4  | SCALE<br>5:1 | UNIT<br>mm. | REV<br>A | UNLESS OTHERWISE SPECIFIED<br>TOLERANCE<br>SEE ABOVE |                    |
|   |              |             |          | APPROVED   |                    |