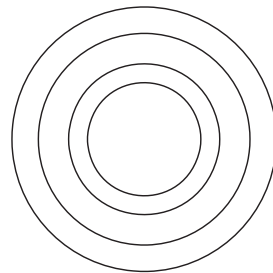
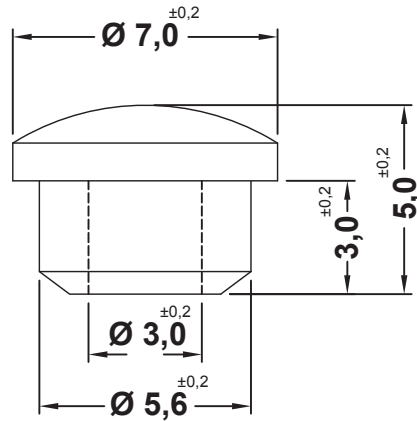


DIM.	TOL
L ≤ 10	±0.2
10 < L ≤ 30	±0.3
30 < L ≤ 50	±0.5
50 < L ≤ 100	±0.7
100 < L ≤ 250	±1.2
ABOVE 250	±1.5

REVISIONS			
REV	DESCRIPTION	DATE	BY



TITLE HOLE PLUGS		MATERIAL SILICON RUBBER		DATE 27/07/2022	
		COLOR BLACK		DRAWN A.C.	
PART NUMBER 18224SI01		DRAWING NUMBER 22.07.27.18224X.E		CHECK (blank)	
SIZE A4	SCALE 5:1	UNIT mm.	REV A	UNLESS OTHERWISE SPECIFIED TOLERANCE SEE ABOVE	
				APPROVED (blank)	