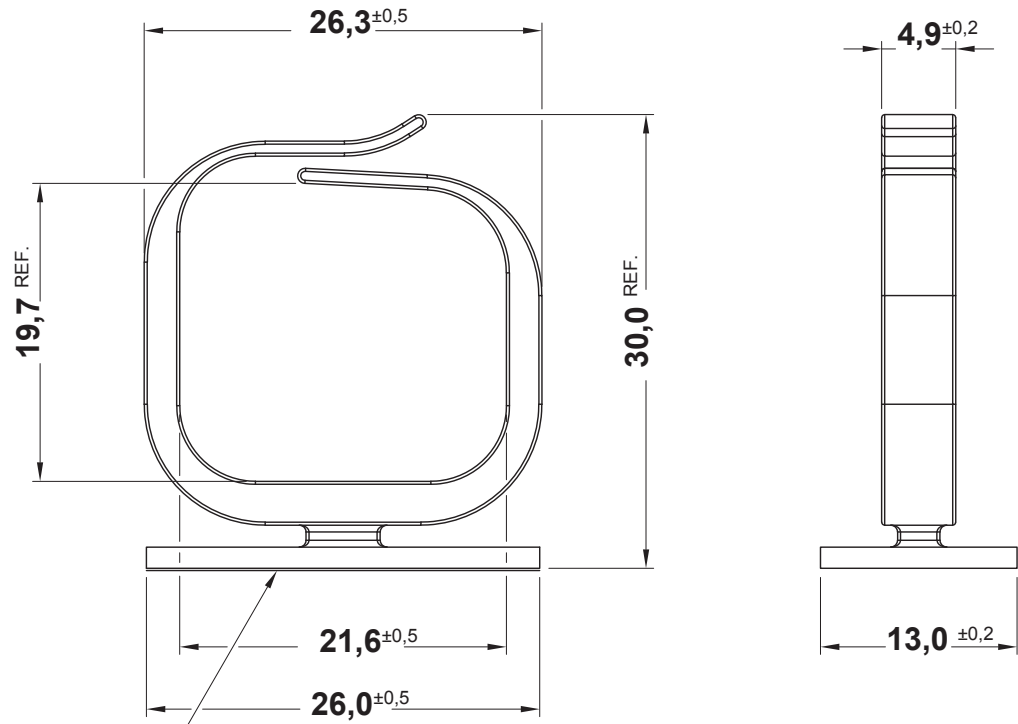



DIM.	TOL
L ≤ 10	±0.2
10 < L ≤ 30	±0.3
30 < L ≤ 50	±0.5
50 < L ≤ 100	±0.7
100 < L ≤ 250	±1.2
ABOVE 250	±1.5

REVISIONS			
REV	DESCRIPTION	DATE	BY



**3M 1600T  
DOUBLE  
ADHESIVE TAPE**

				TITLE <b>WIRE MOUNT</b>			
				MATERIAL PA 66		DATE 28/07/2022	
				V2 (UL94)		DRAWN A.C.	
PART NUMBER 18240AA00AS		DRAWING NUMBER 22.07.28.18240X.E		COLOR NATURAL			
SIZE A4	SCALE 2:1	UNIT mm.	REV A	UNLESS OTHERWISE SPECIFIED TOLERANCE SEE ABOVE			
				CHECK APPROVED			