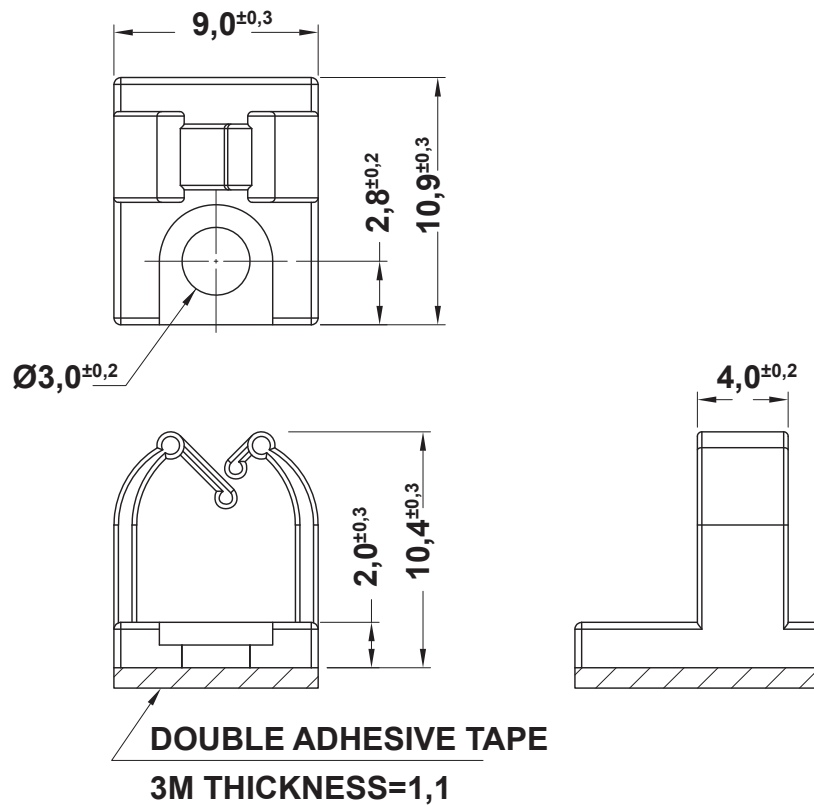



DIM.	TOL
L ≤ 10	±0.2
10 < L ≤ 30	±0.3
30 < L ≤ 50	±0.5
50 < L ≤ 100	±0.7
100 < L ≤ 250	±1.2
ABOVE 250	±1.5

REVISIONS			
REV	DESCRIPTION	DATE	BY



				TITLE WIRE MOUNT	
				MATERIAL PA 66	DATE 28/07/2022
PART NUMBER 18245AA00AS				DRAWING NUMBER 22.07.28.18245x.E	
				UL94V-2	DRAWN A.C.
COLOR NATURAL				CHECK	
SIZE A4	SCALE 3:1	UNIT mm.	REV A	UNLESS OTHERWISE SPECIFIED TOLERANCE SEE ABOVE	
				APPROVED	