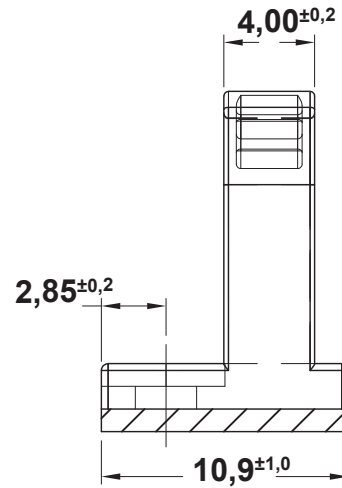
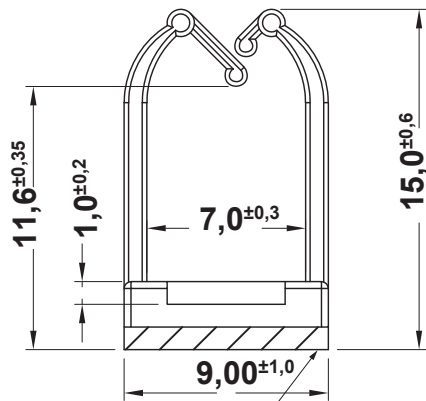
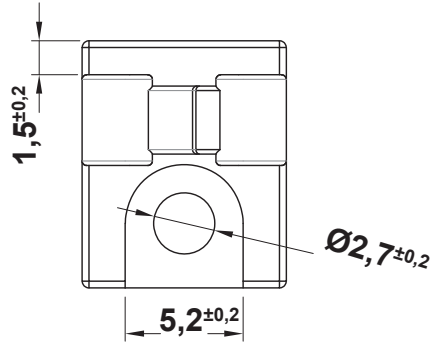



DIM.	TOL
L ≤ 10	±0.2
10 < L ≤ 30	±0.3
30 < L ≤ 50	±0.5
50 < L ≤ 100	±0.7
100 < L ≤ 250	±1.2
ABOVE 250	±1.5

REVISIONS			
REV	DESCRIPTION	DATE	BY



DOUBLE ADHESIVE TAPE  
3M THICKNESS=1,1

				TITLE <b>WIRE SADDLE</b>			
				MATERIAL PA 66		DATE 28/07/2022	
PART NUMBER <b>18246AA00AS</b>				UL94V-2		DRAWN A.C.	
				DRAWING NUMBER 22.07.28.18245x.E			
SIZE A4	SCALE 3:1	UNIT mm.	REV A	UNLESS OTHERWISE SPECIFIED TOLERANCE SEE ABOVE		APPROVED	