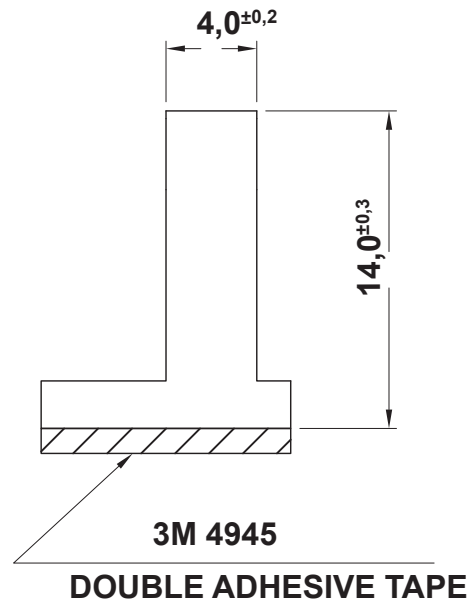
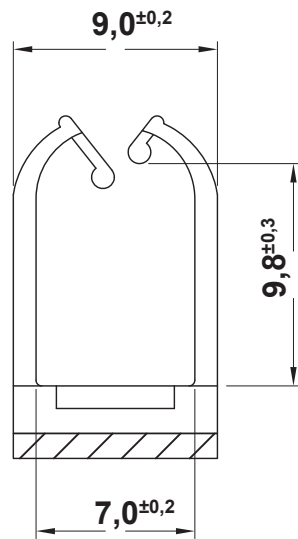
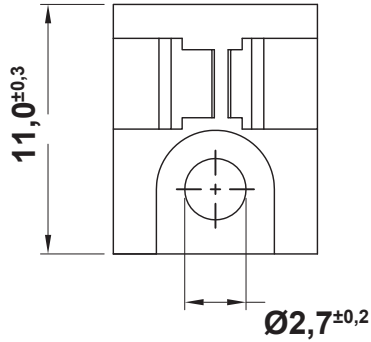



DIM.	TOL
L ≤ 10	±0.2
10 < L ≤ 30	±0.3
30 < L ≤ 50	±0.5
50 < L ≤ 100	±0.7
100 < L ≤ 250	±1.2
ABOVE 250	±1.5

REVISIONS			
REV	DESCRIPTION	DATE	BY



				TITLE WIRE MOUNT	
				MATERIAL PA 66	
PART NUMBER 18248AA00AS				DRAWING NUMBER 22.07.28.18248x.E	
SIZE A4				SCALE 3:1	
UNIT mm.				REV A	
COLOR				CHECK	
UNLESS OTHERWISE SPECIFIED TOLERANCE SEE ABOVE				APPROVED	