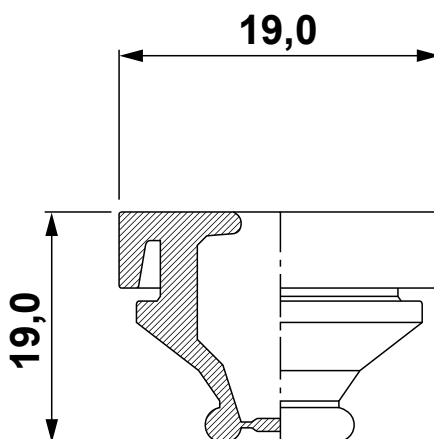


DIM.	TOL.
5mm DOWN	±0.2
5~20mm	±0.3
20~40mm	±0.4
40~60mm	±0.5
60~100mm	±0.8
100mm UP	±1.0

REVISIONS			
REV	DESCRIPTION	DATE	BY



**WORKING TEMPERATURE: -40°C ~ +120°C**  
**CUTOUT: M12**  
**PROPERTIES: HALOGEN-FREE**  
**IP RATING: IP67**  
**NO. OF CABLE LEAD-THROUGHS: 1**  
**CABLE Ø 3,0 - 5,0 mm**  
**HOLE DIAMETER: Ø 12,5 mm**  
**THICKNESS: 1,3 - 5,0 mm**

P/N RAL 7035	P/N RAL 9005
18767GS117035	18767GS019005

				TITLE <b>CABLE GROMMET IP67</b>			
				MATERIAL EPDM		DATE 27/02/2024	
				DRAWN E.B.		CHECK	
PART NUMBER 18767GS		DRAWING NUMBER 24.02.27.18767.0.E		COLOR SEE ABOVE			
SIZE A4	SCALE NTS	UNIT mm.	REV A	UNLESS OTHERWISE SPECIFIED TOLERANCE SEE ABOVE			
				APPROVED			