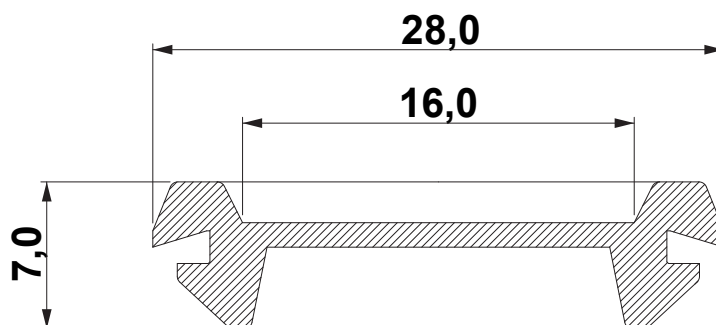


DIM.	TOL.
5mm DOWN	±0.2
5~20mm	±0.3
20~40mm	±0.4
40~60mm	±0.5
60~100mm	±0.8
100mm UP	±1.0

REVISIONS			
REV	DESCRIPTION	DATE	BY



WORKING TEMPERATURE: -40°C ~ +100°C
CUTOUT: PG16
IP RATING: IP54
FLAMMABILITY: V0 (UL94)
CABLE Ø 1,0 - 16,0 mm
HOLE DIAMETER: Ø 22,5 mm
THICKNESS: 1,0 - 2,0 mm

				TITLE CABLE GROMMET IP54	
				MATERIAL TPE V0 (UL94)	DATE 27/02/2024
PART NUMBER 18779PS01				DRAWN E.B.	
				DRAWING NUMBER 24.02.27.18779.0.E	
SIZE A4				COLOR BLACK	
				CHECK	
SCALE NTS		UNIT mm.		REV A	
UNLESS OTHERWISE SPECIFIED TOLERANCE SEE ABOVE				APPROVED	