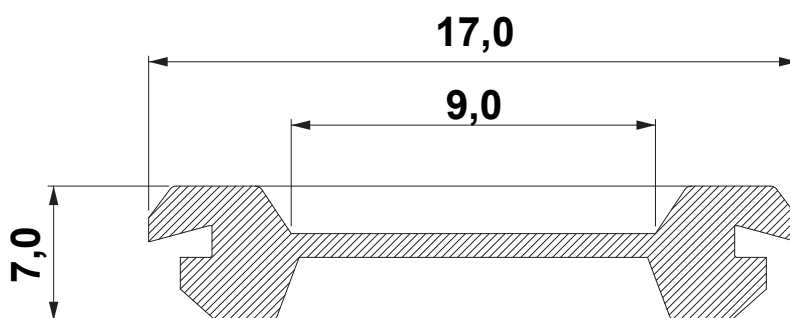


| DIM. | TOL. |
|----------|------|
| 5mm DOWN | ±0.2 |
| 5~20mm | ±0.3 |
| 20~40mm | ±0.4 |
| 40~60mm | ±0.5 |
| 60~100mm | ±0.8 |
| 100mm UP | ±1.0 |

| REVISIONS | | | |
|-----------|-------------|------|----|
| REV | DESCRIPTION | DATE | BY |
| | | | |
| | | | |



WORKING TEMPERATURE: -40°C ~ +100°C
CUTOUT: M12
IP RATING: IP54 (IP65 if used as a plug)
FLAMMABILITY: V0 (UL94)
NO. OF CABLE LEAD-THROUGHS: 1
CABLE Ø 1,0 - 9,0 mm
HOLE DIAMETER: Ø 12,5 mm
THICKNESS: 1,0 - 2,0 mm

| | | | |
|--|--------------|--------------------------------------|--------------------|
| | | TITLE CABLE GROMMET IP54 | |
| | | MATERIAL TPE V0 (UL94) | DATE 27/02/2024 |
| PART NUMBER 18786PS01 | | DRAWING NUMBER 24.02.27.18786.0.E | |
| DRAWING NUMBER 24.02.27.18786.0.E | | COLOR BLACK | CHECK |
| SIZE A4 | SCALE NTS | UNIT mm. | REV A |
| UNLESS OTHERWISE SPECIFIED TOLERANCE SEE ABOVE | | APPROVED | |