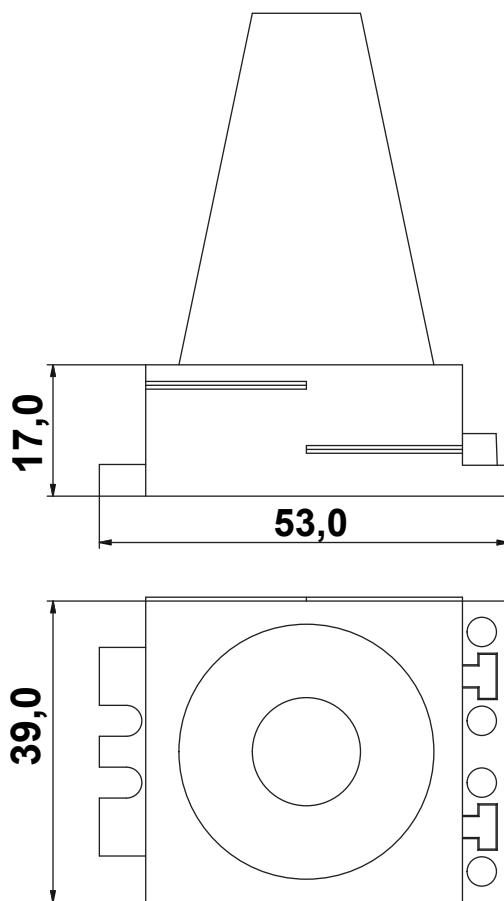


DIM.	TOL.
5mm DOWN	±0.2
5~20mm	±0.3
20~40mm	±0.4
40~60mm	±0.5
60~100mm	±0.8
100mm UP	±1.0

REVISIONS			
REV	DESCRIPTION	DATE	BY



WORKING TEMPERATURE: -40°C ~ +125°C
IP RATING: IP65
NO. OF CABLE LEAD-THROUGHS: 1
INSTALLATION RANGE (Ø) (mm): 7 - 24 mm

		TITLE CABLE GROMMET IP65	
		MATERIAL NBR	DATE 29/02/2024
PART NUMBER 18869NR01		DRAWN E.B.	
DRAWING NUMBER 24.02.29.18869.0.E		COLOR BLACK	CHECK
SIZE A4	SCALE NTS	UNIT mm.	REV A
UNLESS OTHERWISE SPECIFIED TOLERANCE SEE ABOVE		APPROVED	