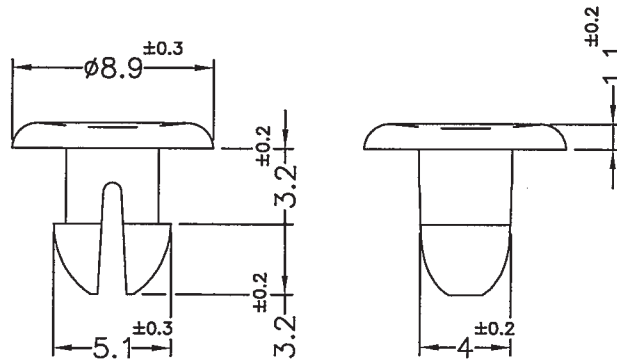



DIM.	TOL.
5mm DOWN	±0.2
5~20mm	±0.3
20~40mm	±0.4
40~60mm	±0.5
60~100mm	±0.8
100mm UP	±1.0

REVISIONS			
REV	DESCRIPTION	DATE	BY



MOUNTING HOLE: Ø4,5
THICKNESS: 3,0

		TITLE SNAP RIVET	
		MATERIAL PA 6 V2(UL94)	DATE 05/08/2024
PART NUMBER 19295AA01		DRAWN A.C.	
DRAWING NUMBER 24/08/05.19295.E		CHECK	
SIZE A4	SCALE NTS	COLOR BLACK	APPROVED
UNIT mm.	REV A	UNLESS OTHERWISE SPECIFIED TOLERANCE SEE ABOVE	